

Technische Daten/ Technical Data

KLUDI ZENTA
thermostatic shower mixer
DN 15

Ref.:
351009138

Finishes:
91 white/chrome

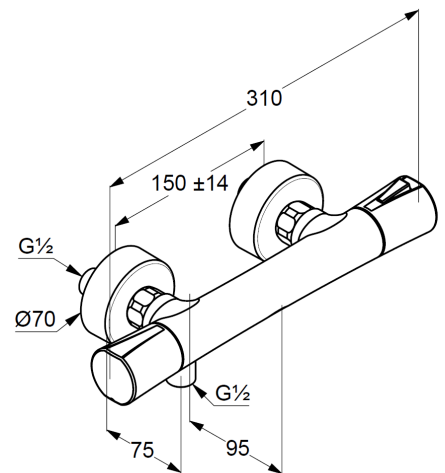
Product description
Manufacturer KLUDI GmbH & Co. KG
Typ: KLUDI ZENTA
thermostatic shower mixer
Ref.: 351009138

thermostatic shower mixer
wall mounted
temperature handle with hot water safety at 40°C
protected against back flow
shower outlet G $\frac{1}{2}$
ceramic headparts 90°
flow rate at 3 bar 18 l/min.
S-unions G $\frac{1}{2}$ x G $\frac{3}{4}$
with dirt-catcher sieve

Produktabbildung/ Product picture



Maßzeichnung/ Dimensional drawing



Durchfluss/ Flow rate

