

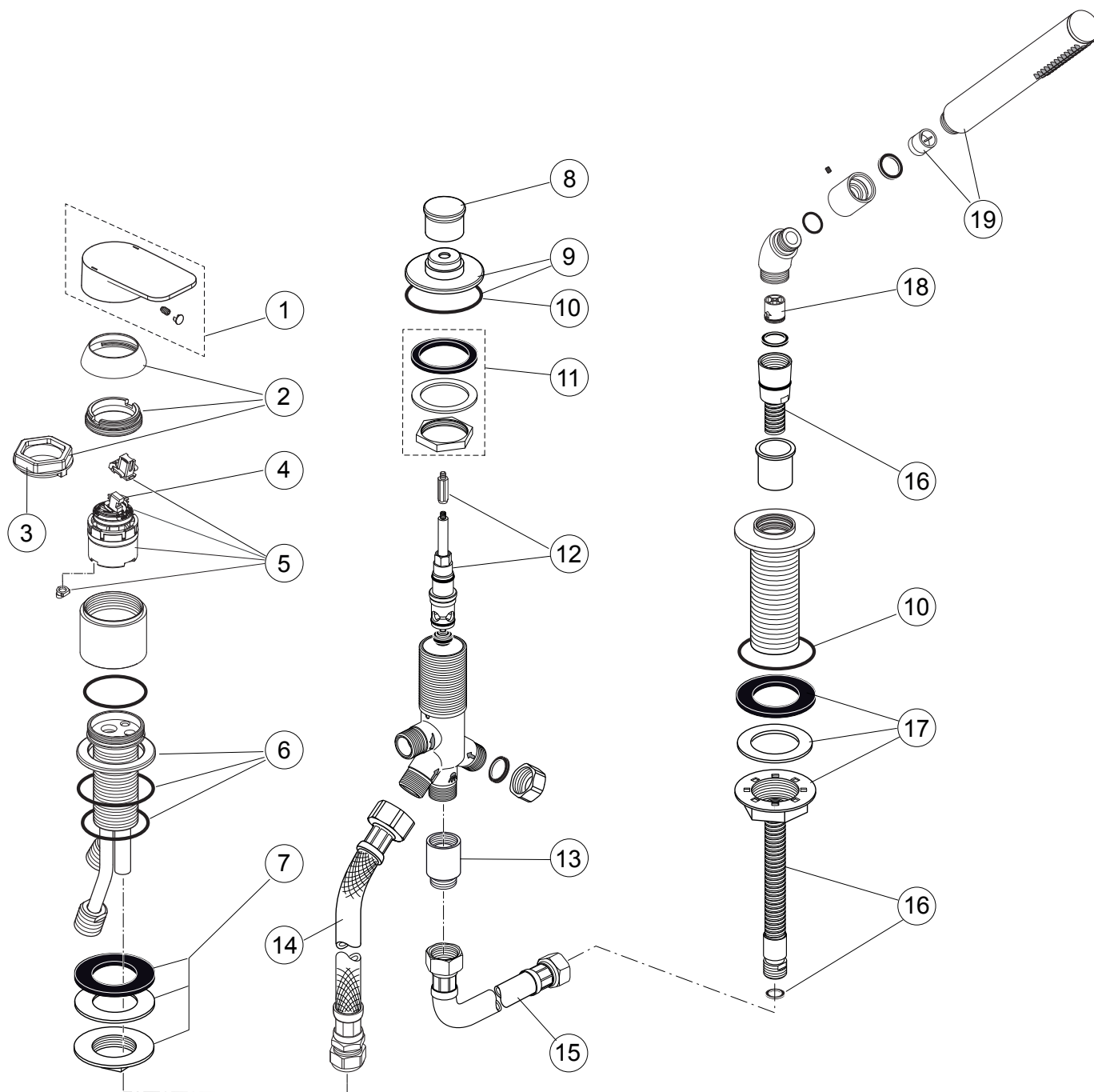


Tonic II A6349..

Ideal Standard

Produced from: **March 2021**

3 Hole rim mounted single lever
with automatism diverter & hand spray
chrome **A6349AA**

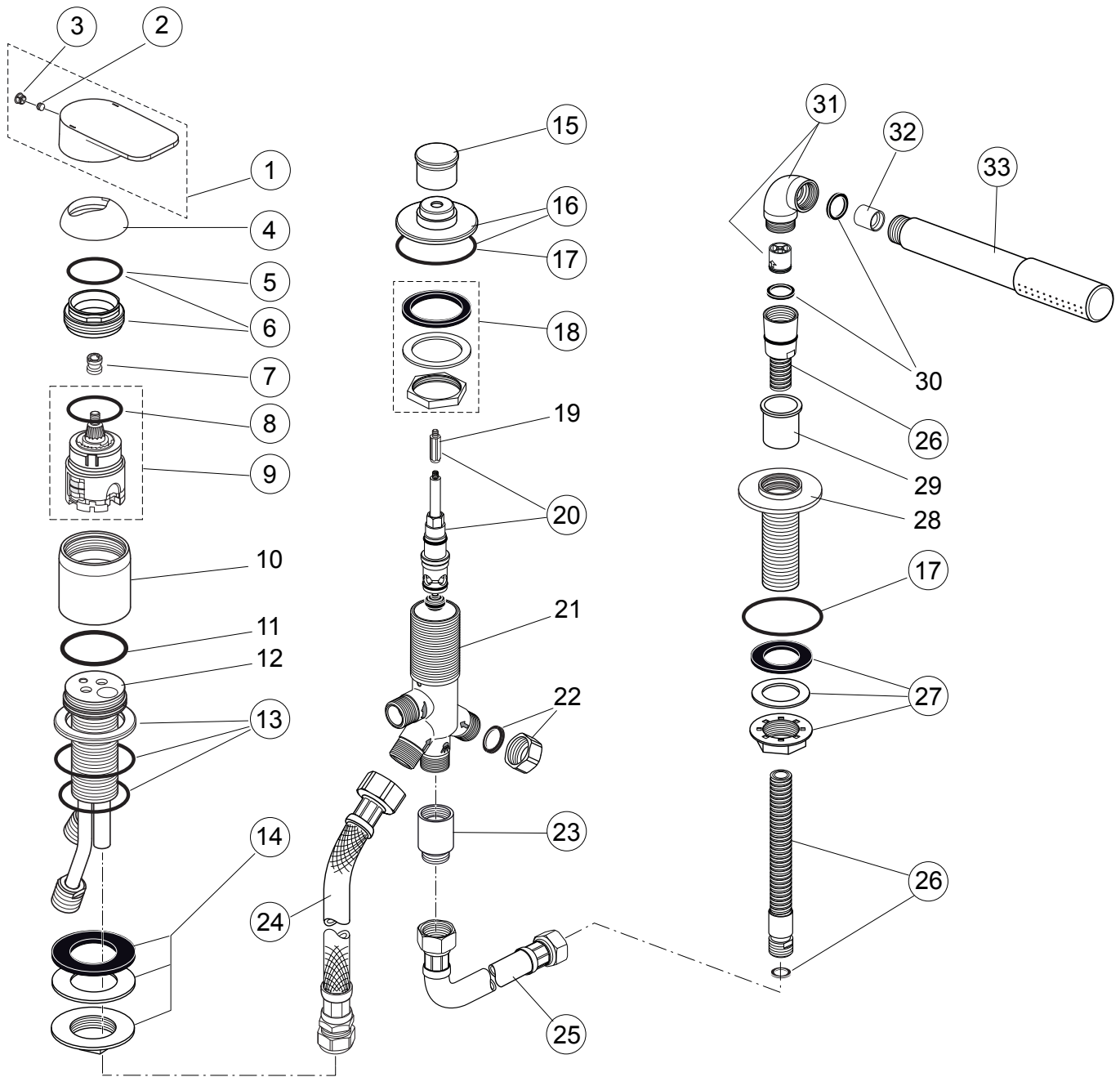


Pos.	Description	Part-Number	Qty.	Pos.	Description	Part-Number	Qty.
1	Lever cpl. with red/blue	A 860 917 AA	1 Set	13	Non-return valve complete	A 963 287 AA	1 pcs
2	Cover cap + ring + key	B 960 862 AA	1 Set	14	Flex. hose G1/2 x 400mm	A 962 823 NU	1 pcs
3	Key for pos. 2	B 960 650 NU	1 pcs	15	Flex. hose G1/2 + washer	H 960 185 NU	1 pcs
4	Hot limit stop	A 861 181 NU	1 pcs	16	Shower hose G1/2 -M15x1	H 960 440 AA	1 pcs
5	Cartridge Ø38 + Pos. 3	A 861 156 NU*	1 Set	17	Fixation kit shower-holder	H 960 657 NU*	1 Set
6	Escutcheon + O-rings	A 860 918 AA	1 Set	18	Non-return valve	A 962 594 NU	2 pcs
7	Fixation kit G 1"	H 960 294 NU	1 Set	19	Hand shower with flow limiter 8l/min	A 861 098 AA	1 pcs
8	Pull knob	A 860 901 AA	1 pcs				
9	Escutcheon + O-ring	A 861 033 AA	1 Set				
10	O - ring Ø 48 x 3	F 961 021 NU	1 pcs				
11	Fixation kit diverter	A 963 026 NU	1 Set				
12	Diverter	H 960 987 NU	1 pcs				

**Universal set (not all parts needed)*

Produced from: **March 2015 - Feb.2021**

3 Hole rim mounted single lever
with automatism diverter & hand spray
chrome
A6349AA



Pos.	Description	Part-Number	Qty.	Pos.	Description	Part-Number	Qty.
1	Lever cpl. with red/blue	A 860 917 AA	1 Set	18	Fixation kit diverter	A 963 026 NU	1 Set
2	Thread pin M5x6 DIN914	A 860 603 NU	1 pcs	19	Spindle extension		
3	Handle cap	A 960 396 AA	1 pcs	20	Diverter + Pos.19	H 960 987 NU	1 pcs
4	Cover cap	A 961 485 AA	1 pcs	21	Body diverter		
5	O - ring Ø 28,3 x 1,78	A 860 818 NU	1 pcs	22	Plug with Fibre-ring		
6	Clamping nut M43 x 1,5 cpl.	N 960 019 AA	1 Set	23	Non-return valve complete	A 963 287 AA	1 pcs
7	Srew adapter	A 963 372 NU	1 pcs	24	Flex. hose G1/2 x 400mm	A 962 823 NU	1 pcs
8	O - ring Ø 35 x 3,2	A 962 715 NU	1 pcs	25	Flex. hose G1/2 + washer	H 960 185 NU	1 pcs
9	Cartridge Multiport cpl.	A 860 621 NU	1 Set	26	Shower hose G1/2 -M15x1	H 960 440 AA	1 pcs
10	Cover			27	Fixation kit shower-holder	H 960 657 NU*	1 Set
11	O - ring Ø 40 x 3,0			28	Holder for hand shower		
12	Body Single lever			29	Plastic insert		
13	Escutcheon + O-rings	A 860 918 AA	1 Set	30	Washer Ø 20,8 x 14,5 x 2,5		
14	Fixation kit G 1"	H 960 294 NU	1 Set	31	Non-return valve	A 962 594 NU	2 pcs
15	Pull knob	A 860 901 AA	1 pcs	32	Flow limiter 8l/min	B 961 093 NU	1 pcs
16	Escutcheon + O-ring	A 861 033 AA	1 Set	33	Hand shower	A 861 098 AA	1 pcs
17	O - ring Ø 48 x 3	F 961 021 NU	1 pcs				

*Universal set (not all parts needed)