

## Technische Daten/ Technical Data

KLUDI COCKPIT DISCOVERY  
DUAL SHOWER SYSTEM  
DN 15

Ref.: 8020091-00

Finishes:  
91 chrome/white

Product description  
Manufacturer KLUDI GmbH & Co. KG  
Typ: KLUDI COCKPIT DISCOVERY  
DUAL SHOWER SYSTEM  
Ref.: 8020091-00

thermostatic shower mixer  
wall mounted  
with place to keep 550mm  
with ceramic shut-off valve 90°/90°  
diverter headshower-handshower  
temperature handle with hot water safety at 40°C  
protected against back flow  
shower outlet G $\frac{1}{2}$   
with fixing material

hand shower 1 S  
1 spray pattern, Volumen  
with cleaning system  
connection G1/2  
sieve seal

shower hose  
plastic coated  
with metal-effect  
with conical nuts  
anti twist  
G $\frac{1}{2}$  x G $\frac{1}{2}$  x 1600mm

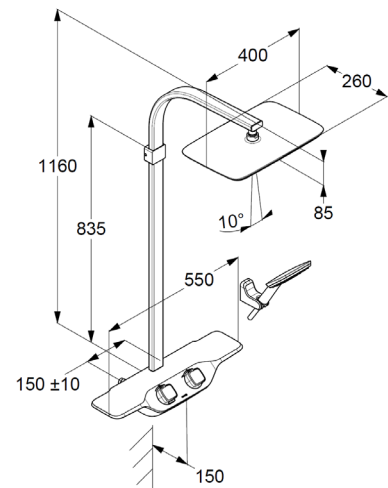
head shower 1 S  
1 spray pattern  
with cleaning system  
connection G1/2  
with ball joint  
400mm x 260mm  
sieve seal

wall mounted shower holder  
vertically adjustable  
for shower hoses with conical nuts,  
with fixing material  
for rigid wall mounting

### Produktabbildung/ Product picture



### Maßzeichnung/ Dimensional drawing



### Durchfluss/ Flow rate

