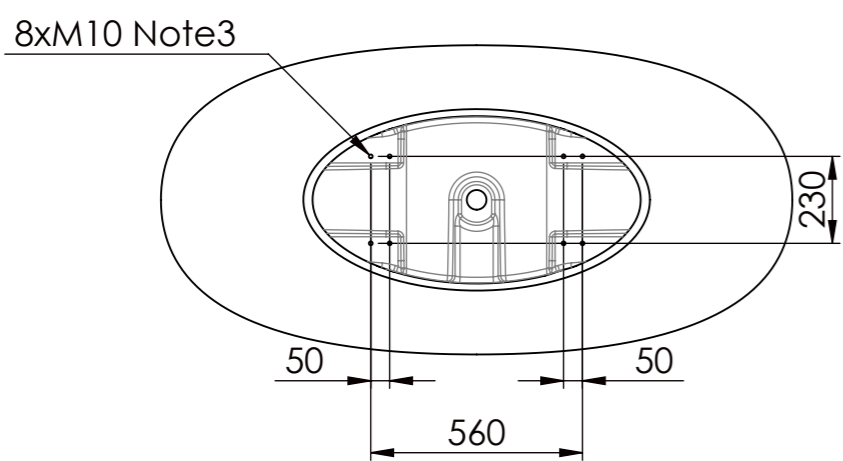


Bottom view



Tolerance length/width/height	+10/-10 mm	
Tol. plane bending	≤800 mm	+1,5/-1,5 mm
	>800 mm	+3/-3 mm
Tolerance holes location	+3/-3 mm	
Tolerance holes diameter	+1/-1 mm	
Tolerance wall thickness	+1/-1 mm	
Tolerance feet location	+5/-5 mm	

- Notes/Uwagi:**
1. Water volume (full bathtub) 330 l
 2. Water volume (to overflow) 265 l
 3. M10 steel bearing

	weiß glänzend	weiß matt	schwarz matt	schwarz/weiß glänzend	grau/weiß glänzend	beige/weiß glänzend
LILIE	LILM167F	LILM167FWM	LILM167FSM	LILM167FS	LILM167FG	LILM167FB

This document must not be copied without our written permission, and the contents thereof must not be imparted to a third party nor be used for any unauthorized purpose. Contravention will be prosecuted.