

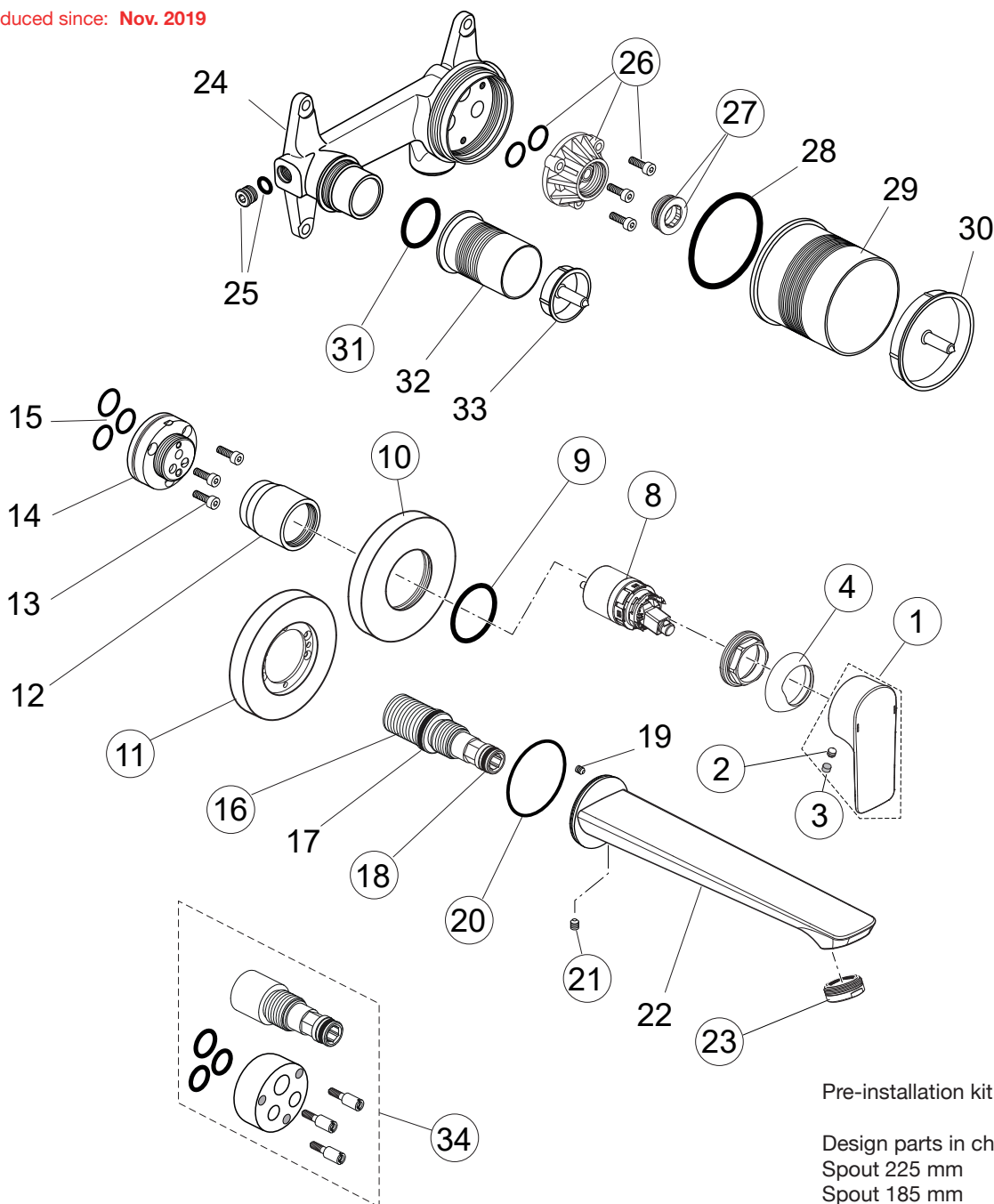


# Connect Air

A7009.. A7029..

Ideal Standard

Produced since: **Nov. 2019**



Pre-installation kit 1 **A5948NU**

Design parts in chrome  
Spout 225 mm **A7009AA**  
Spout 185 mm **A7029AA**

### Replace XX with the appropriate finish code

Chrome = AA Silver Storm = GN Gold = A2 Magnetic Grey = A5

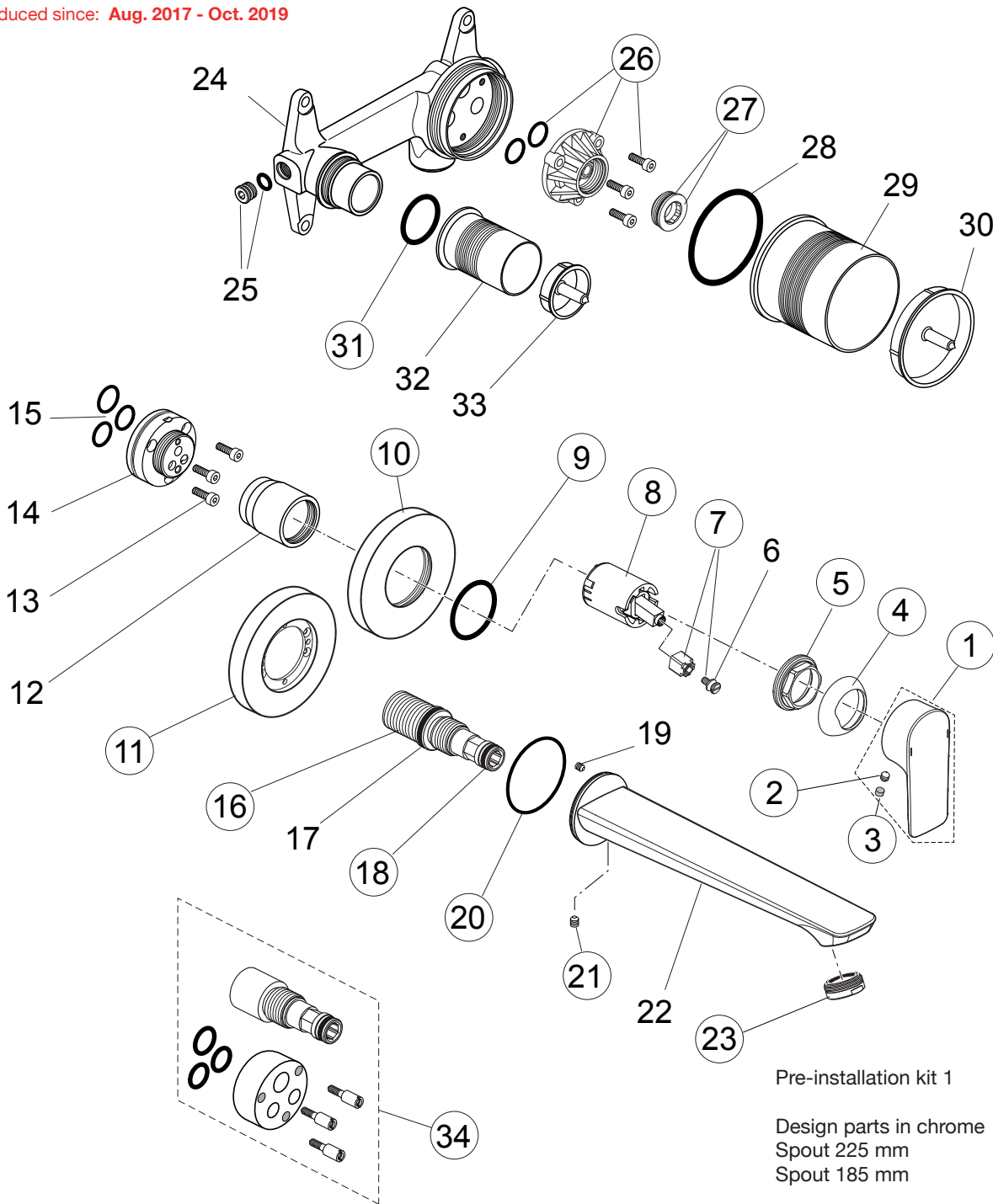
Example spare part order:  
**B 961 383 AA** in Chrome

Pos.	Description	Part-Number	Qty.	Pos.	Description	Part-Number	Qty.
1	Lever cpl. marked red/blue	<b>A 861 452 XX</b>	1 Set	22	Spout		
2	Thread pin M5x6 DIN914	<b>A 860 603 NU</b>	1 pcs	23	Aerator M24x1-5l/min	<b>B 961 383XX</b>	1 pcs
3	Handle cap	<b>A 861 453 NU*</b>	1 Set	24	Body ( built-in )		
4	Cover cap	<b>A 861 080 XX</b>	1 pcs	25	Superior block M10x1		
8	Cartridge Ø28	<b>A 861 396 NU</b>	1 pcs	26	Flushing device complete	<b>F 960 881 NU</b>	1 Set
9	O - Ring Ø 40 x 3	<b>H 962 197 NU*</b>	1 Set	27	Plug with o-ring	<b>A 963 548 NU</b>	1 Set
10	Escutcheon with. Pos.9	<b>A 861 234 XX</b>	1 Set	28	O - ring Ø 54 x 2,5		
11	Escutcheon for spout	<b>A 861 454 XX</b>	1 pcs	29	Plaster guard for cartridge		
12	Sleeve with thread inside			30	Cover for pos. 34		
13	Cylindrical screw M4 x 12			31	O - ring Ø 26 x 2,5	<b>A 860 845 NU</b>	1 pcs
14	Insert			32	Plaster guard for spout		
15	O - ring set			33	Cover for pos. 37		
16	Connector nipple cpl.	<b>A 861 270 NU</b>	1 Set	34	Extension kit 20mm longer	<b>F 960 867 NU</b>	1 Set
17	O - ring Ø 19 x 2,5						
18	O - ring Ø 10 x 2	<b>A 963 495 NU</b>	2 pcs				
19	Thread pin M3x5						
20	O - Ring Ø 41 x 1,78	<b>A 961 863 NU</b>	1 pcs				
21	Thread pin M5x5	<b>A 962 625 NU</b>	3 pcs				

\*Universal set (not all parts needed)

Connect Air

Produced since: Aug. 2017 - Oct. 2019



Pre-installation kit 1 **A5948NU**

Design parts in chrome  
 Spout 225 mm **A7009AA**  
 Spout 185 mm **A7029AA**

Pos.	Description	Part-Number	Qty.	Pos.	Description	Part-Number	Qty.
1	Lever cpl. marked red/blue	<b>A 861 233 AA</b>	1 Set	19	Thread pin M3x5		
2	Thread pin M5x6 DIN914	<b>A 860 603 NU</b>	1 pcs	20	O - Ring Ø 41 x 1,78	<b>A 961 863 NU</b>	1 pcs
3	Handle cap	<b>A 963 751 NU</b>	1 pcs	21	Thread pin M5x5	<b>A 962 625 NU</b>	3 pcs
4	Cover cap	<b>A 861 080 AA</b>	1 pcs	22	Spout		
5	Clamping nut M36 x 1	<b>B 961 087 NU</b>	1 pcs	23	Aerator M24x1-5l/min w.key	<b>A 861 069 NU</b>	1 pcs
6	Handle srew M4			24	Body ( built-in )		
7	Handle insert + screw	<b>B 961 086 NU</b>	1 Set	25	Superior block M10x1		
8	Cartridge Kerox Ø28 + Pos 6	<b>F 960 855 NU</b>	1 Set	26	Flushing device complete	<b>F 960 881 NU</b>	1 Set
9	O - Ring Ø 40 x 3	<b>H 962 197 NU*</b>	1 Set	27	Plug with o-ring	<b>A 963 548 NU</b>	1 Set
10	Escutcheon with. Pos.9	<b>A 861 234 AA</b>	1 Set	28	O - ring Ø 54 x 2,5		
11	Escutcheon for spout	<b>F 961 009 AA</b>	1 pcs	29	Plaster guard for cartridge		
12	Sleeve with thread inside			30	Cover for pos. 34		
13	Cylindrical screw M4 x 12			31	O - ring Ø 26 x 2,5	<b>A 860 845 NU</b>	1 pcs
14	Insert			32	Plaster guard for spout		
15	O - ring set			33	Cover for pos. 37		
16	Connector nipple cpl.	<b>A 861 270 NU</b>	1 Set	34	Extension kit 20mm longer	<b>F 960 867 NU</b>	1 Set
17	O - ring Ø 19 x 2,5						
18	O - ring Ø 10 x 2	<b>A 963 495 NU</b>	2 pcs				

\*Universal set (not all parts needed)

**Connect Air**