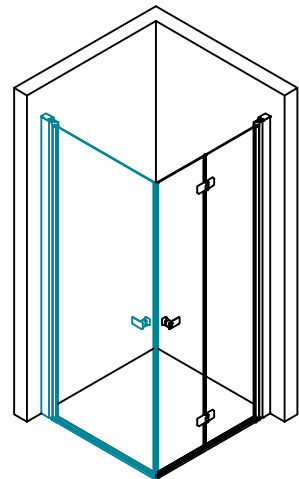
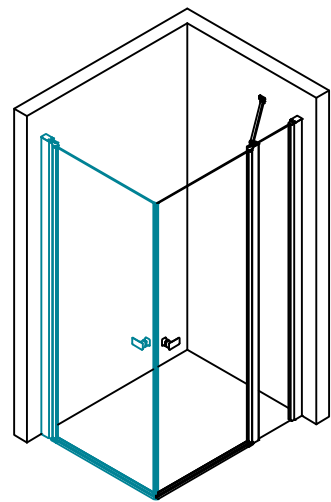
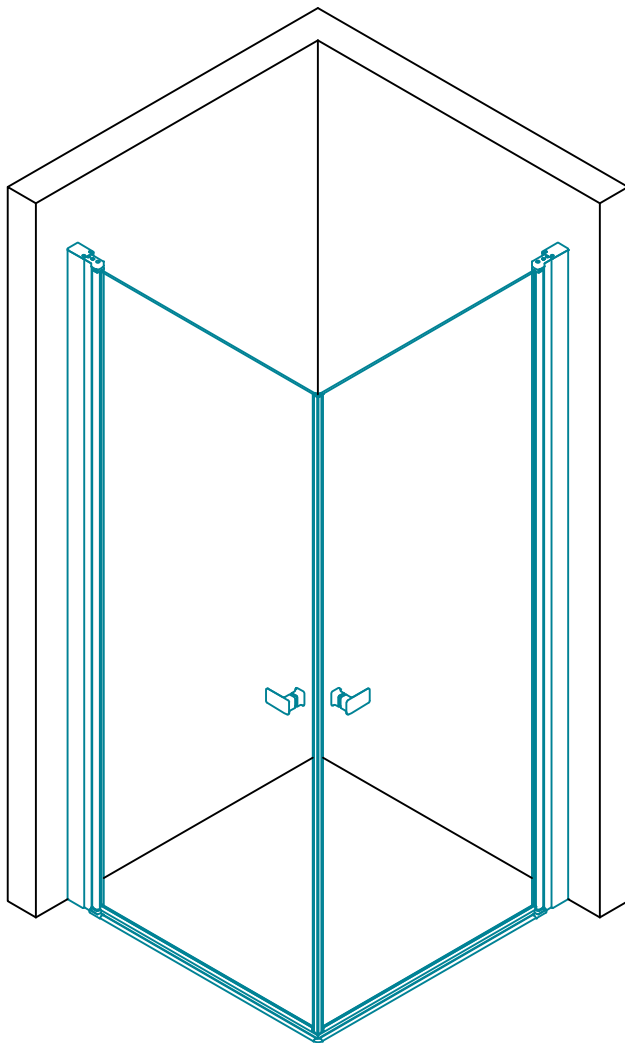


# VIGOUR

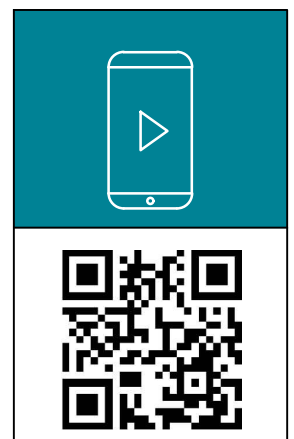
Die Marke für das ganze Bad

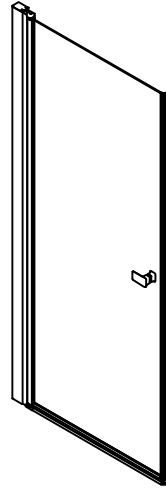
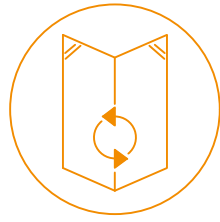


**VIGOUR V3**  
Duschabtrennungen  
Shower enclosures

V32PE

**19901** V3



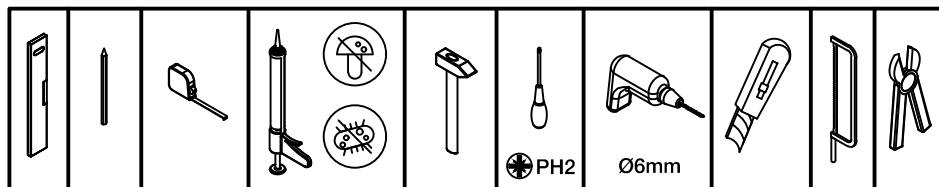
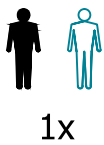


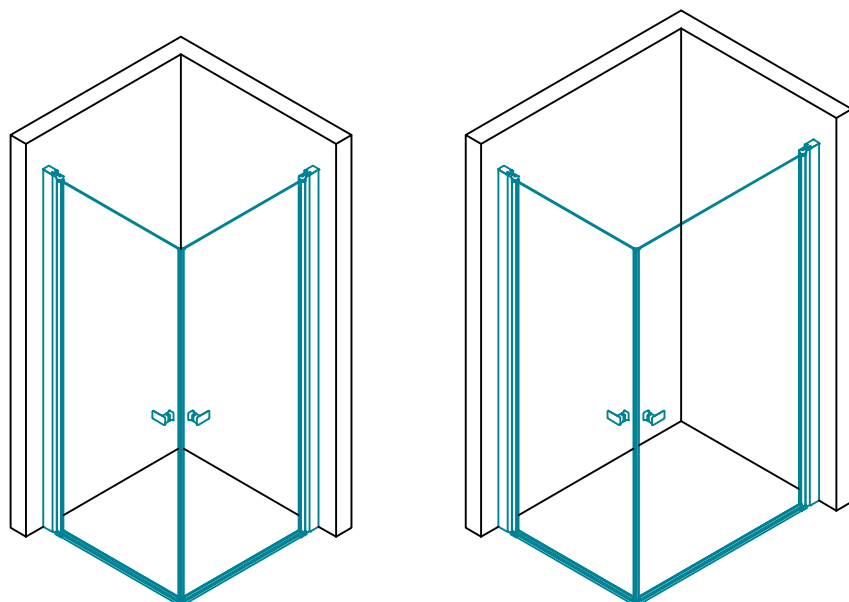
V32PE

1	2	4	8	10		99
12		13	20	21		
24						

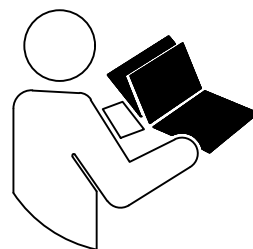
24	3x	3x	2x
	24-1 4.2 x 32 mm	24-2 Ø 6 mm	24-3 3.5 x 16 mm
	24-4	24-5	24-10
		5 mm	TX 20

3	24
	KIT
	24-8
3x	24-9 4.2 x 60 mm



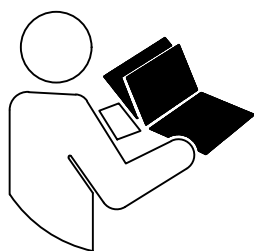


2x  
**V32PE**

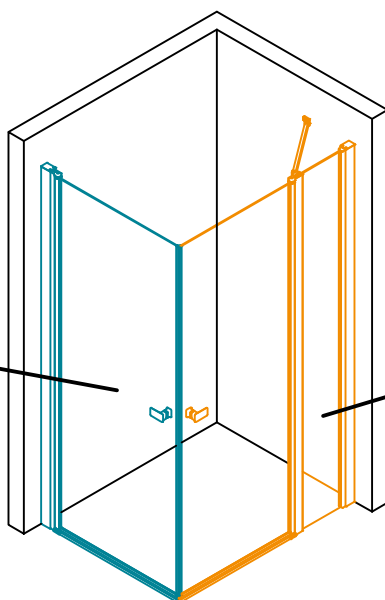


**19901**

**V32PE**



**19901**

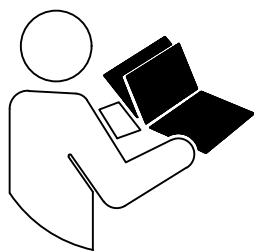


**V32FPN**

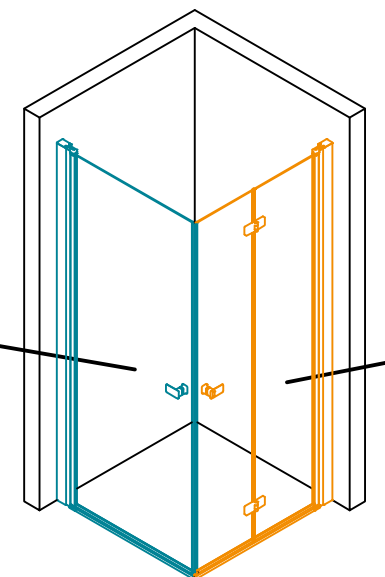


**19903**

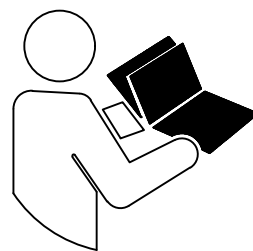
**V32PE**



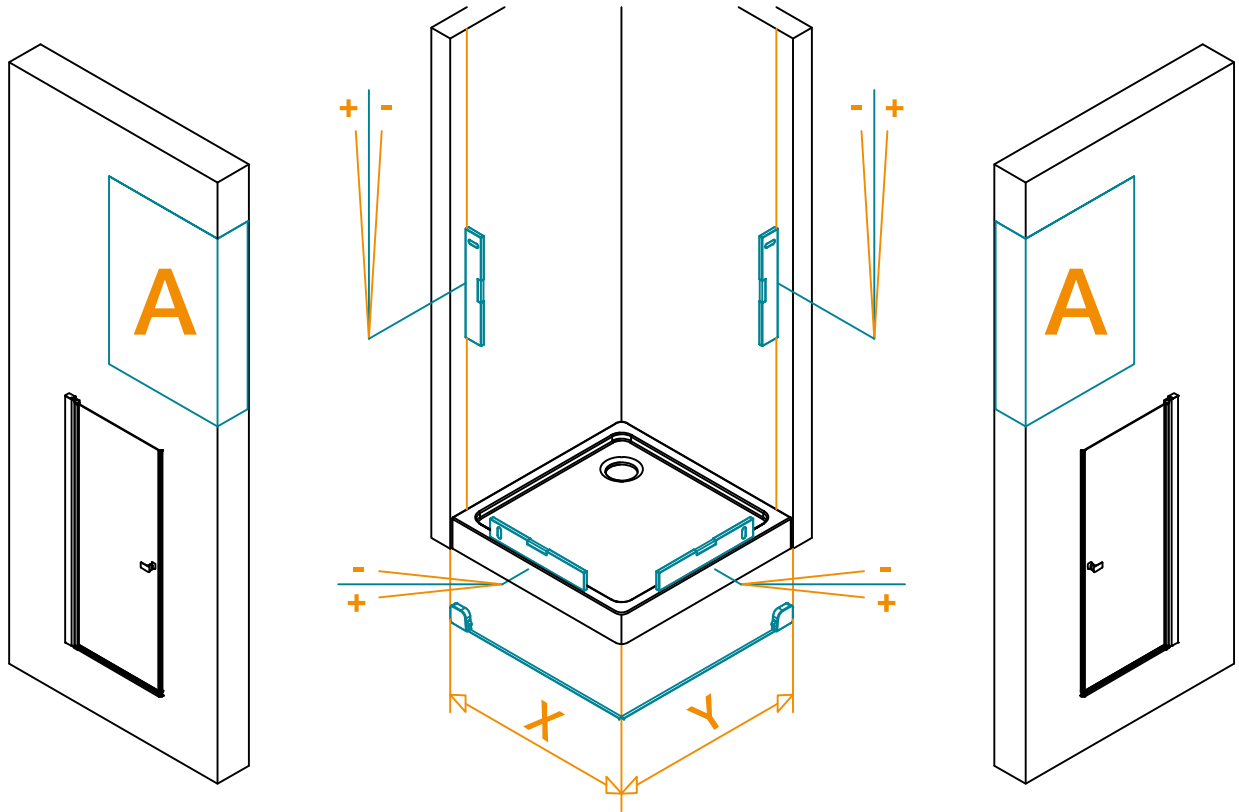
**19901**



**V32FE**



**19902**



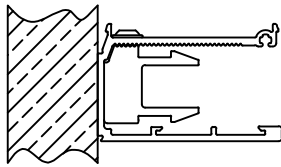
**Einbaumaß Wanne (EBW)**

Installation dimension shower tray (EBW)

**1.a**

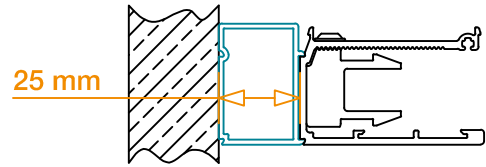
**EBW<sub>Min</sub> ≤ X & Y ≤ EBW<sub>Max</sub>**

**A STD (-20 ; +10)**



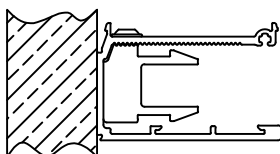
A	EBW
600	580 - 610
700	680 - 710
750	730 - 760
800	780 - 810
850	830 - 860
900	880 - 910
950	930 - 960
1000	980 - 1010

**A STD (+5 ; +35)**

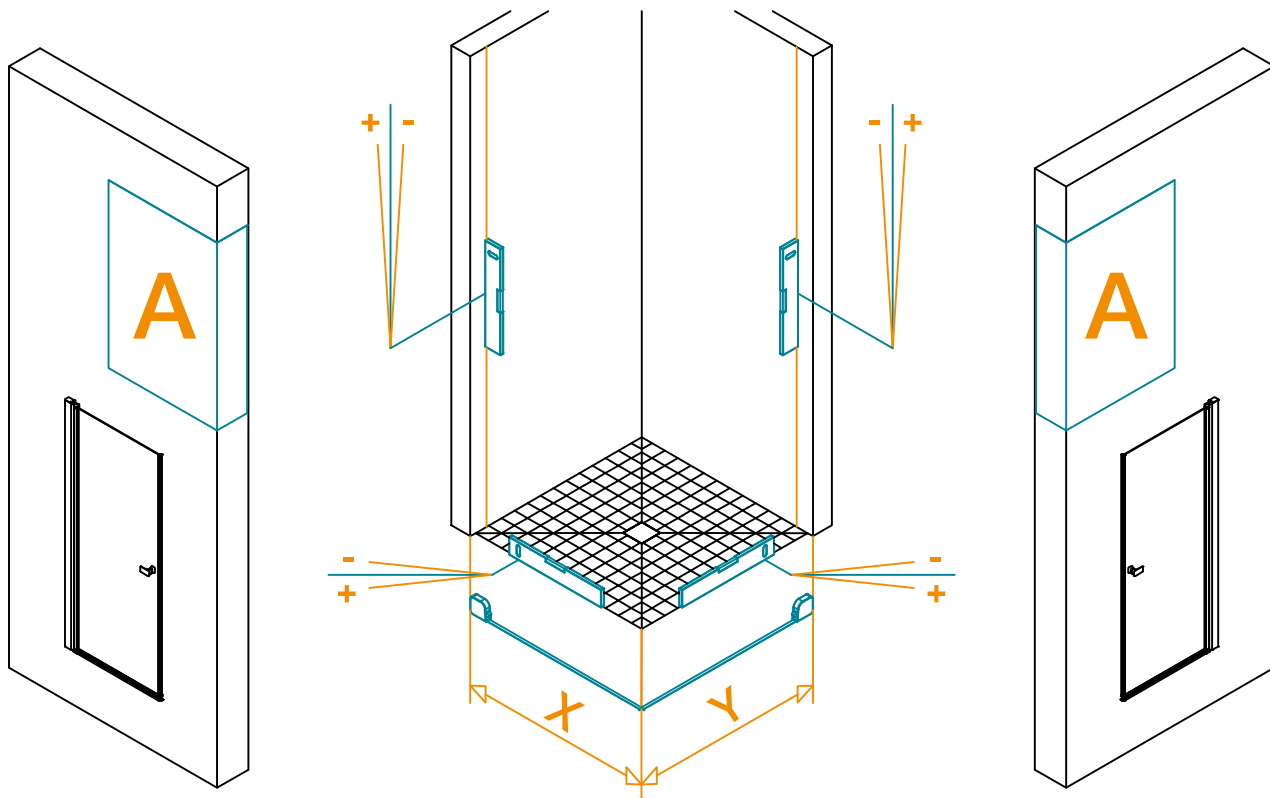


A	EBW
600	605 - 635
700	705 - 735
750	755 - 785
800	805 - 835
850	855 - 885
900	905 - 935
950	955 - 985
1000	1005 - 1035

**A SM (-10 ; +20)**



A	EBW
EX : 863	853 - 883

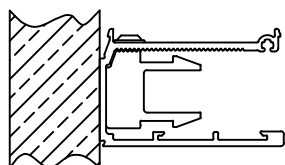


**Bodenmontage Glasmitte (EBG)**  
 Floor mounting, center of glass (EBG)

**1.b**

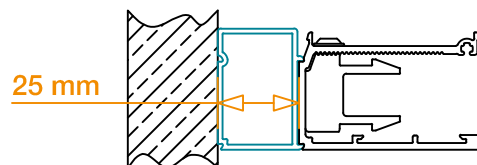
**EBG** <sub>Min</sub> ≤ **X & Y** ≥ **EBG** <sub>Max</sub>

**A STD (-45 ; -15)**



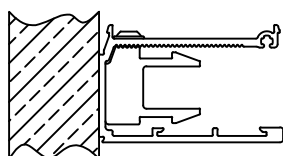
A	EBG
600	555 - 585
700	655 - 685
750	705 - 735
800	755 - 785
850	805 - 835
900	855 - 885
950	905 - 935
1000	955 - 985

**A STD (-20 ; +10)**



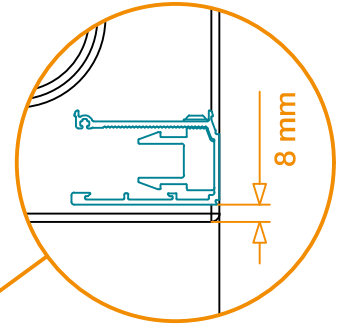
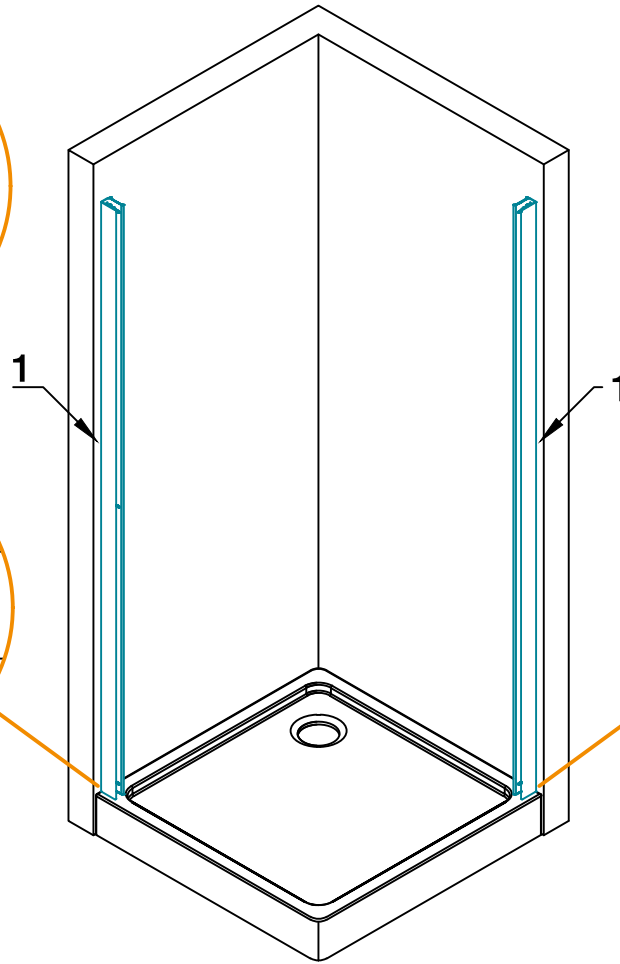
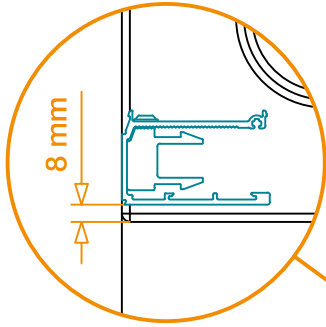
A	EBG
600	580 - 610
700	680 - 710
750	730 - 760
800	780 - 810
850	830 - 860
900	880 - 910
950	930 - 960
1000	980 - 1010

**A SM (-10 ; +20)**

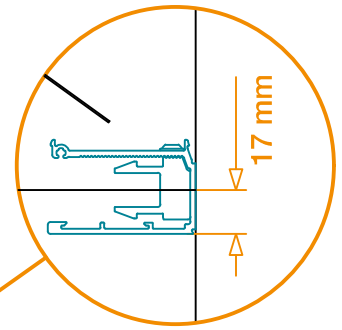
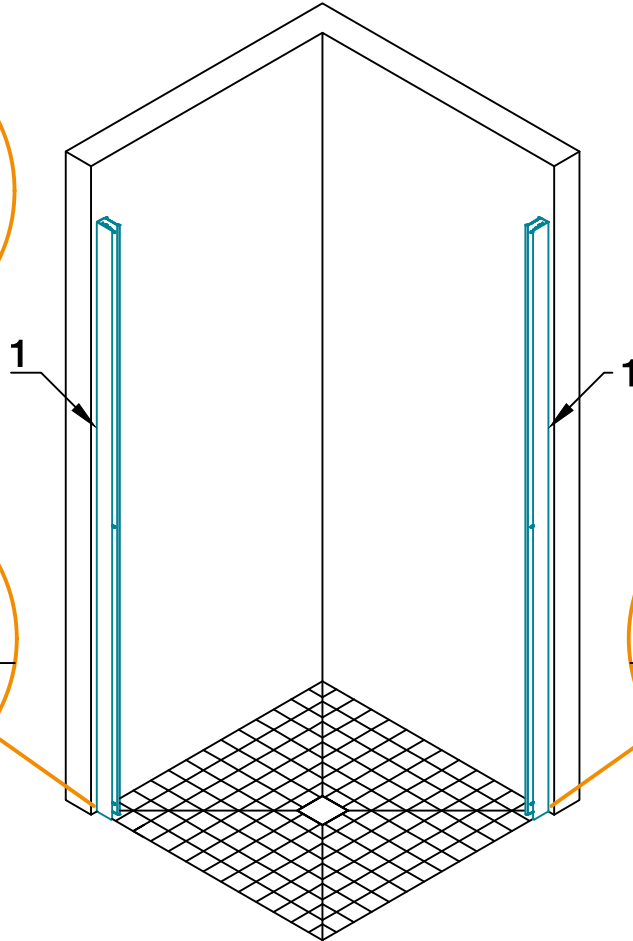
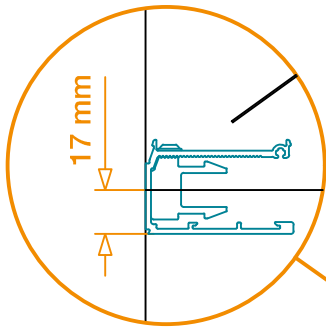
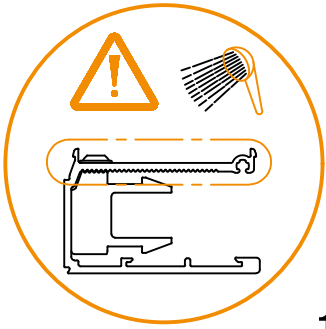


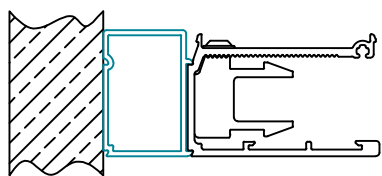
A	EBG
EX : 863	853 - 883

6

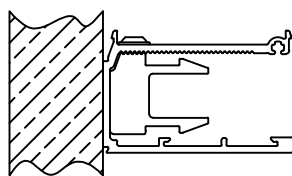


2.



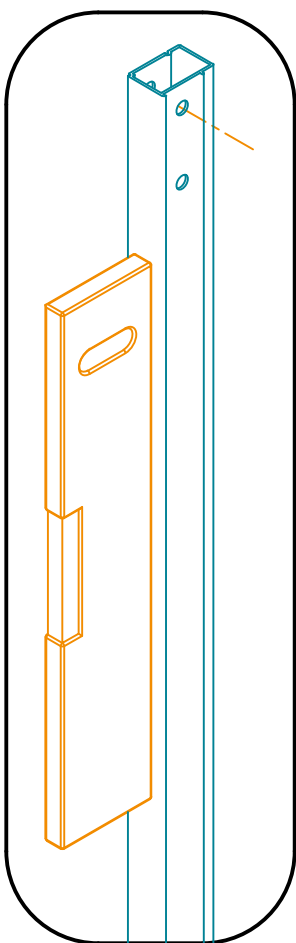


↓ PG. 7

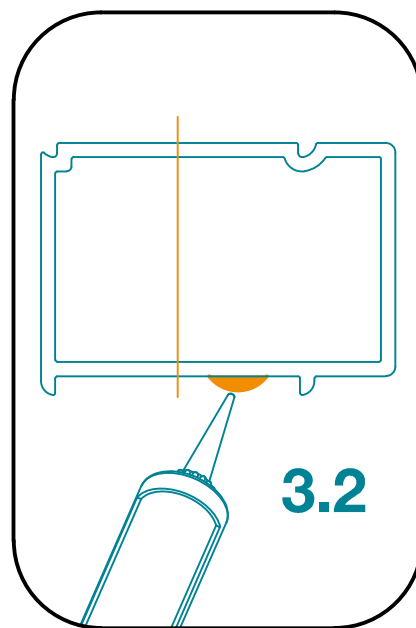
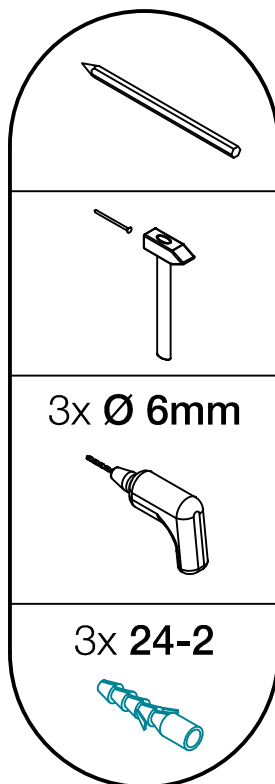
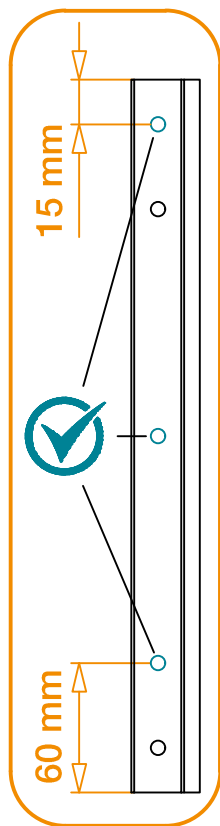


→ PG. 8

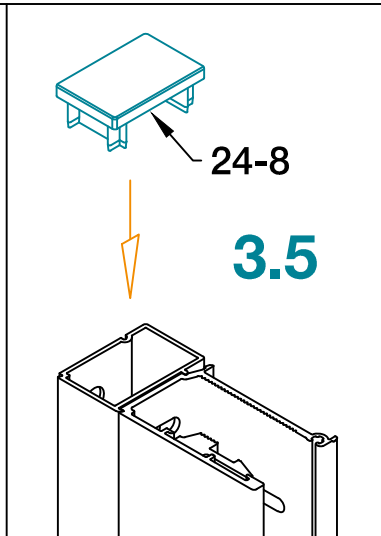
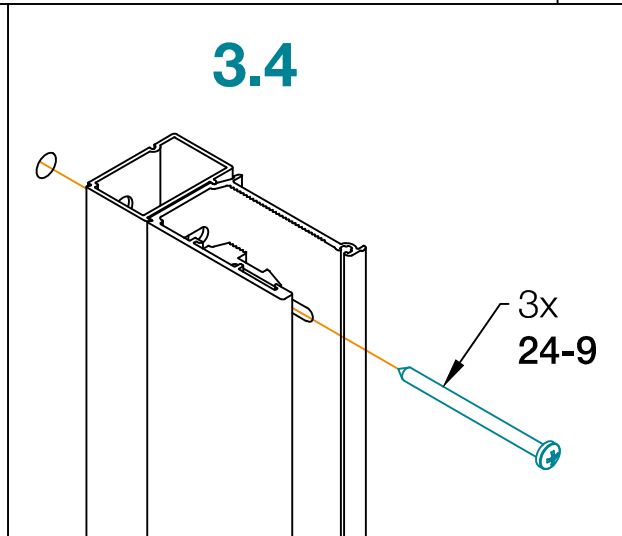
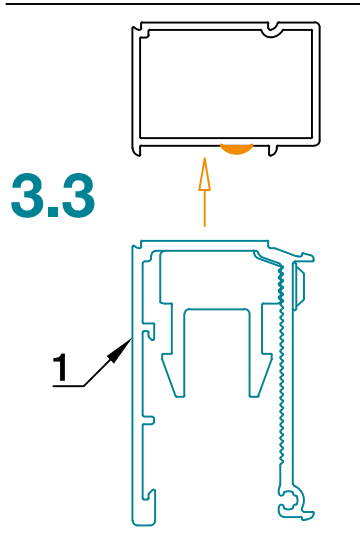
**3.1 → 3.5**



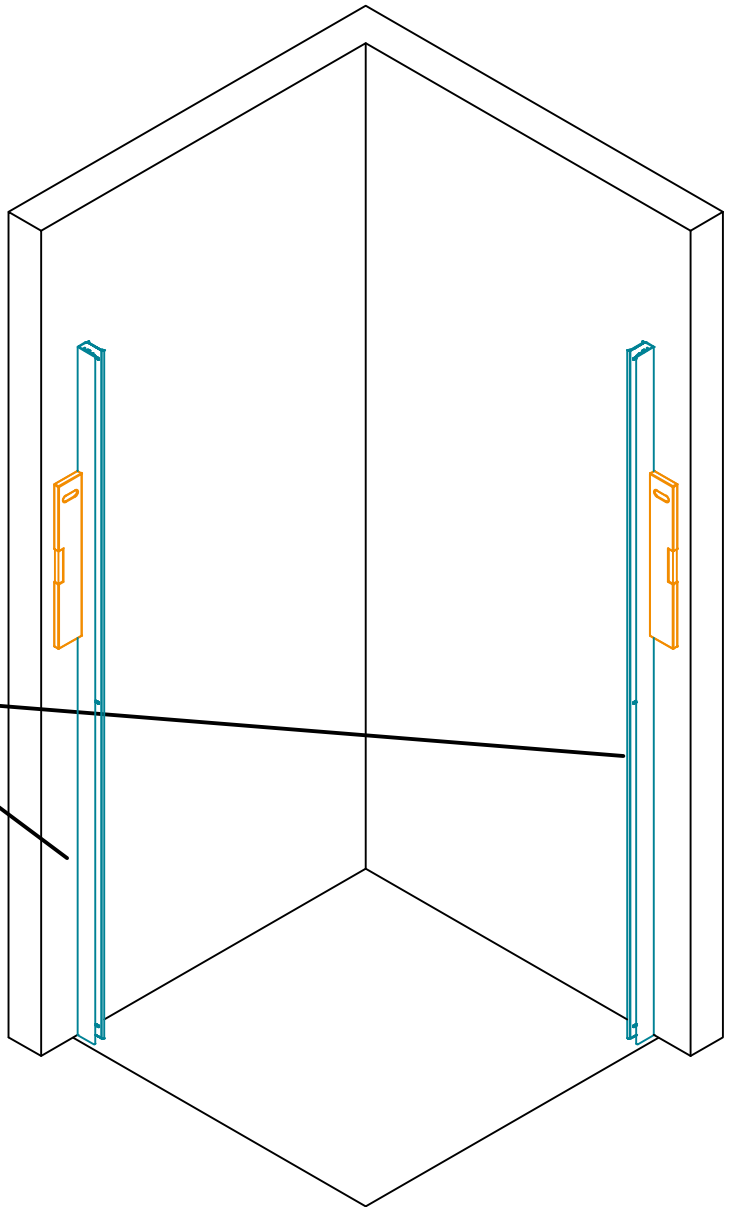
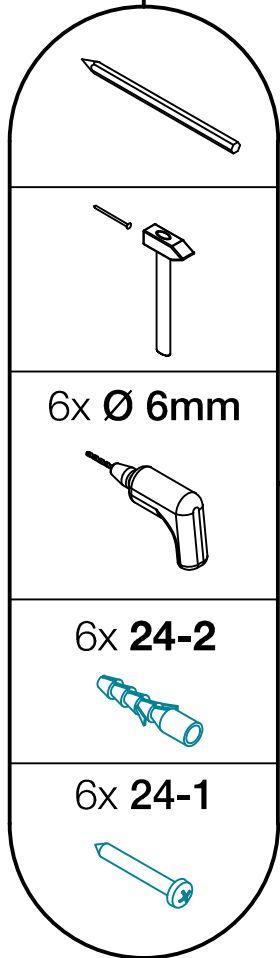
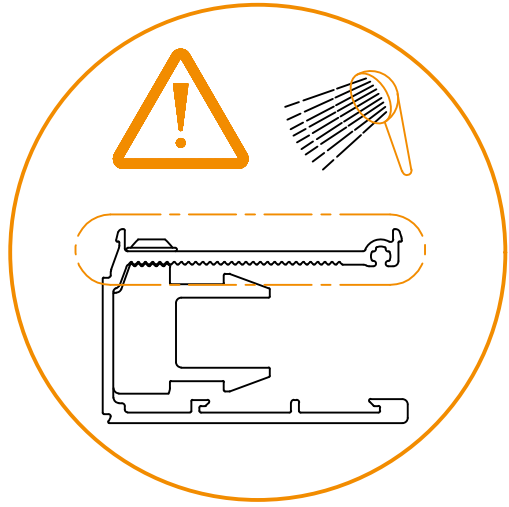
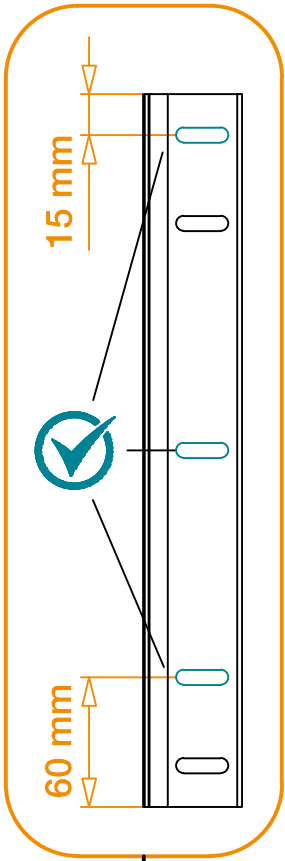
### 3.1



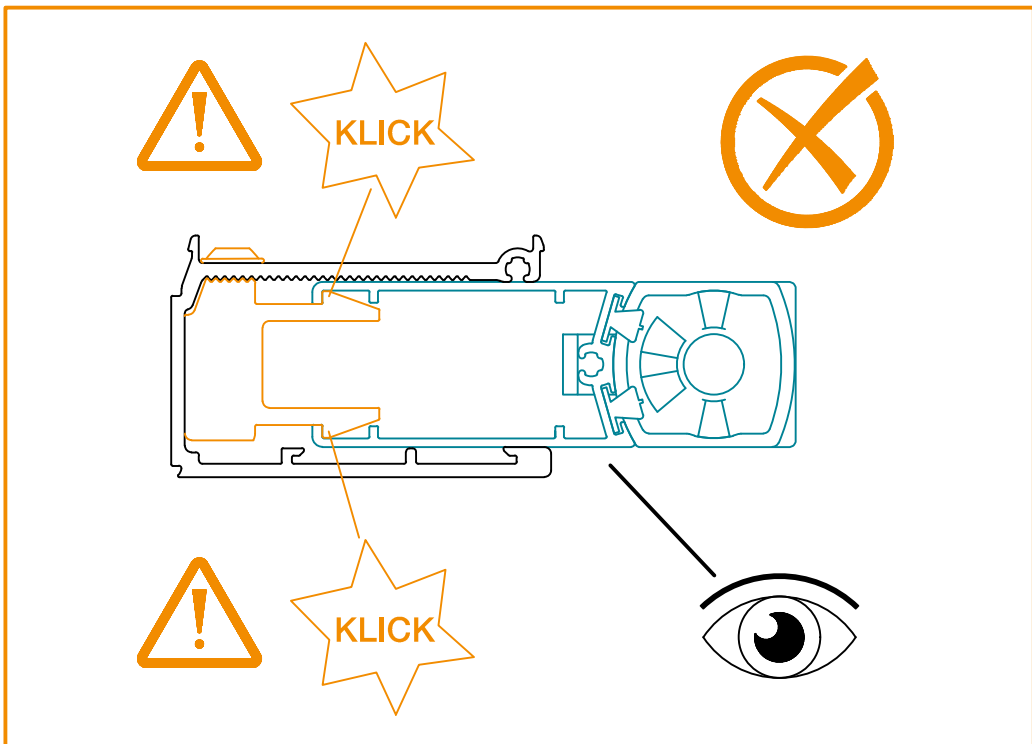
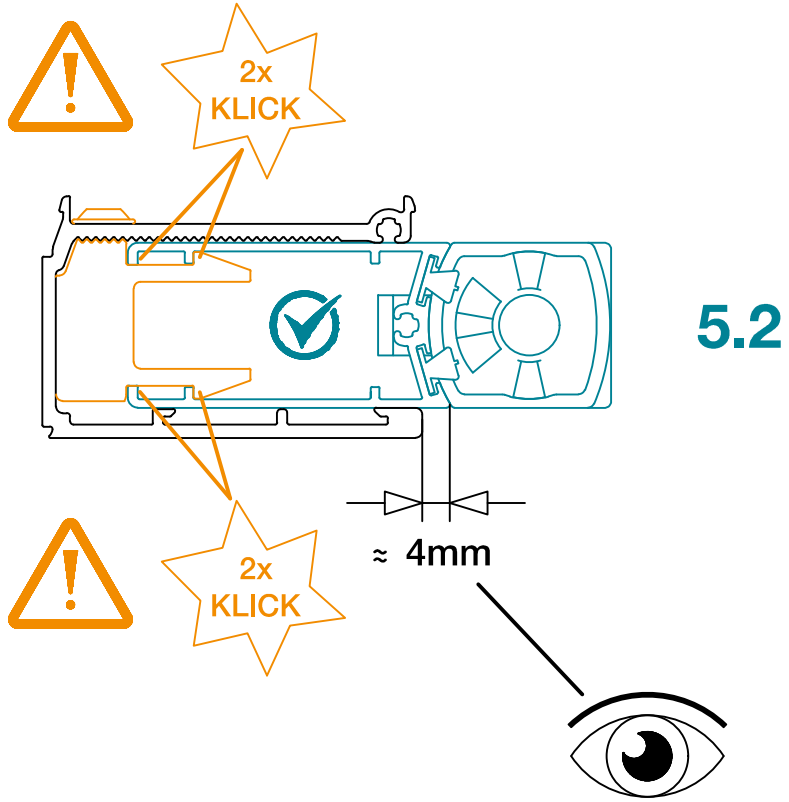
### 3.2



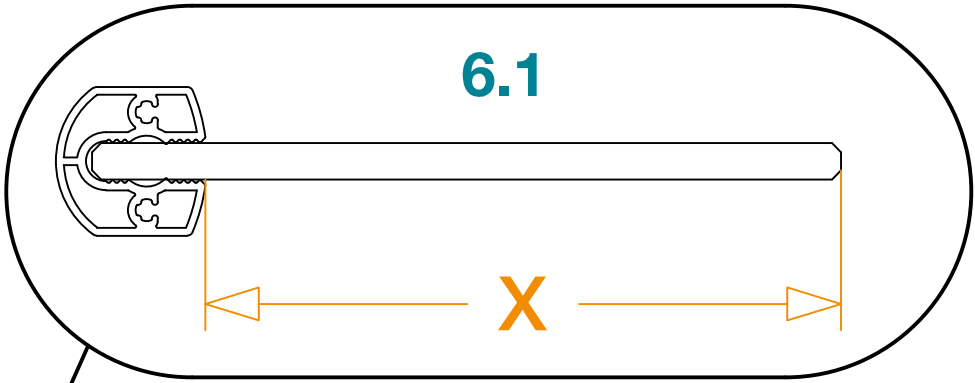
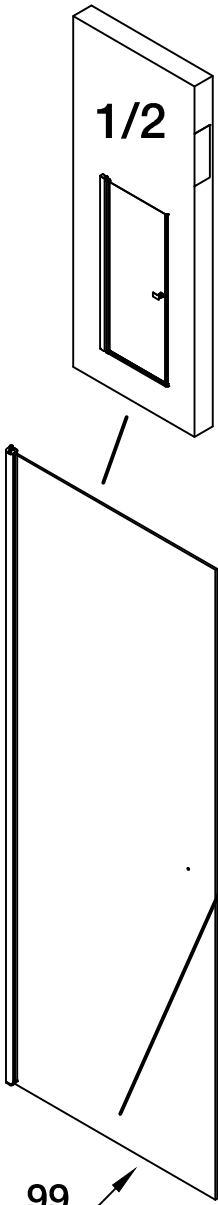
4.




5.1 → 5.2





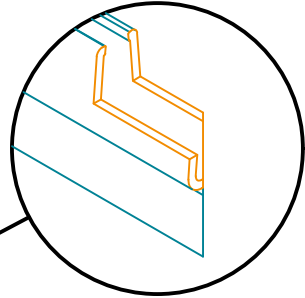
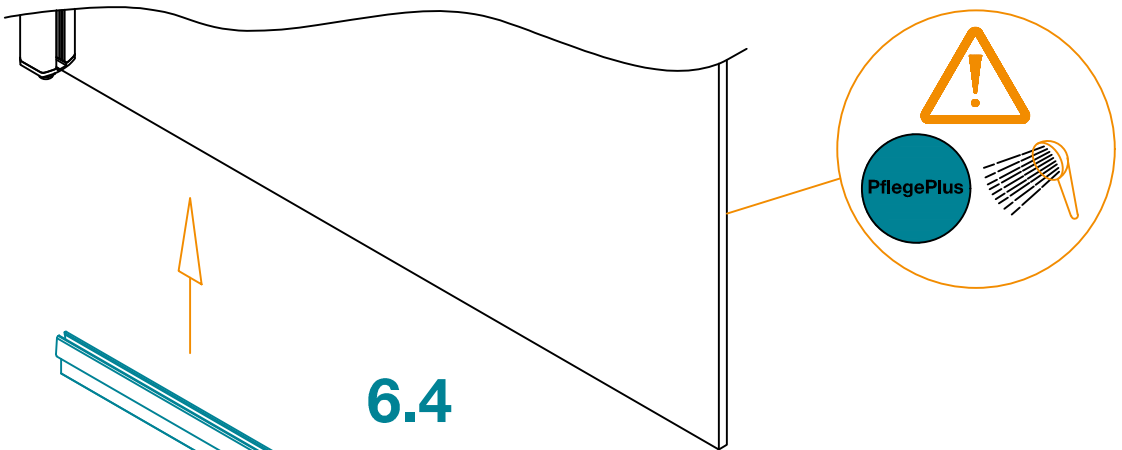
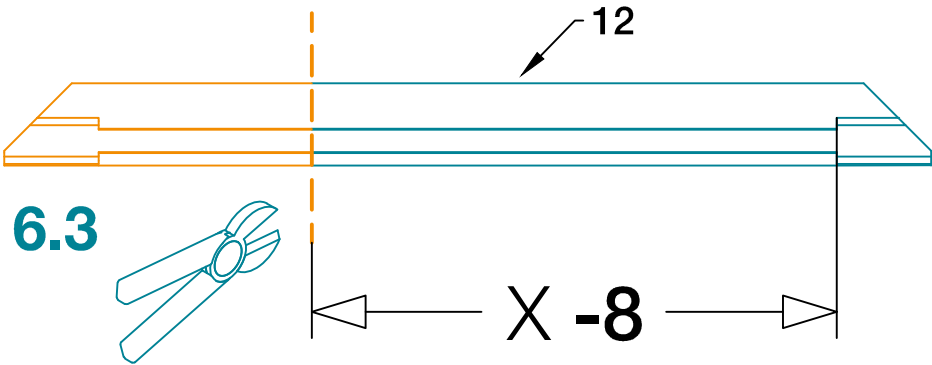
6.1 → 6.4



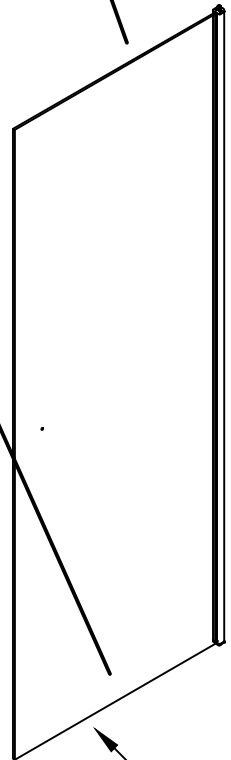
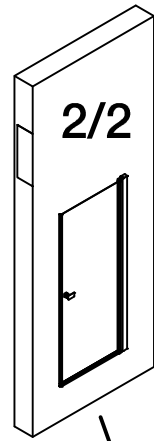
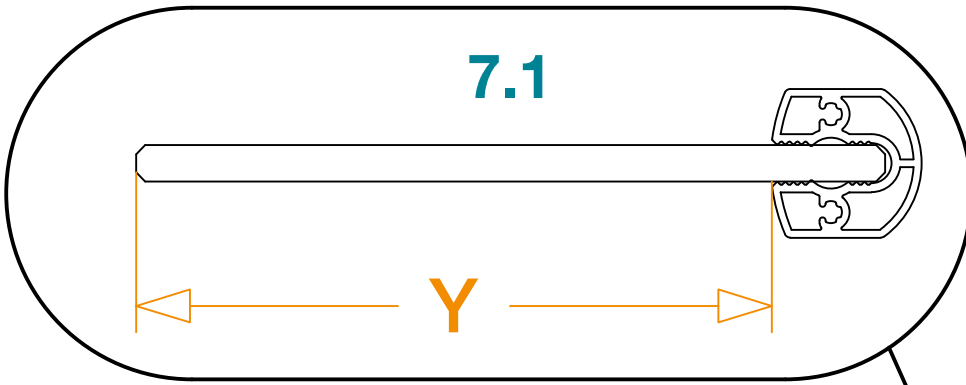
6.2





X = ..... 

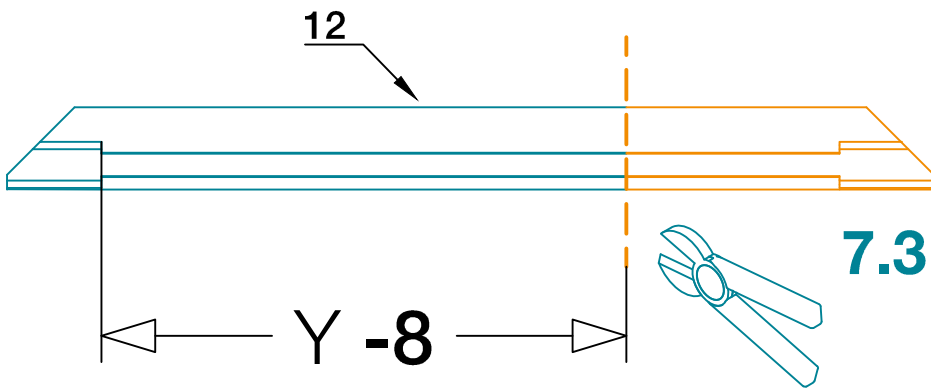
PG. 16  





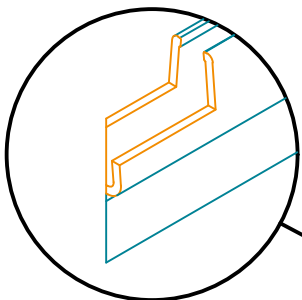
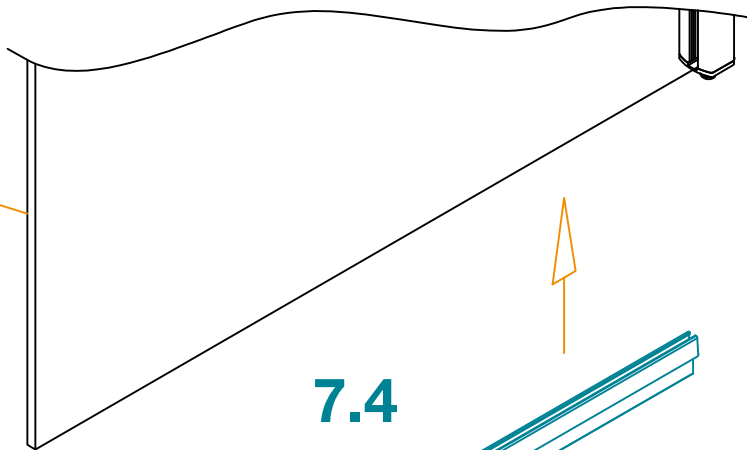
7.1 → 7.4



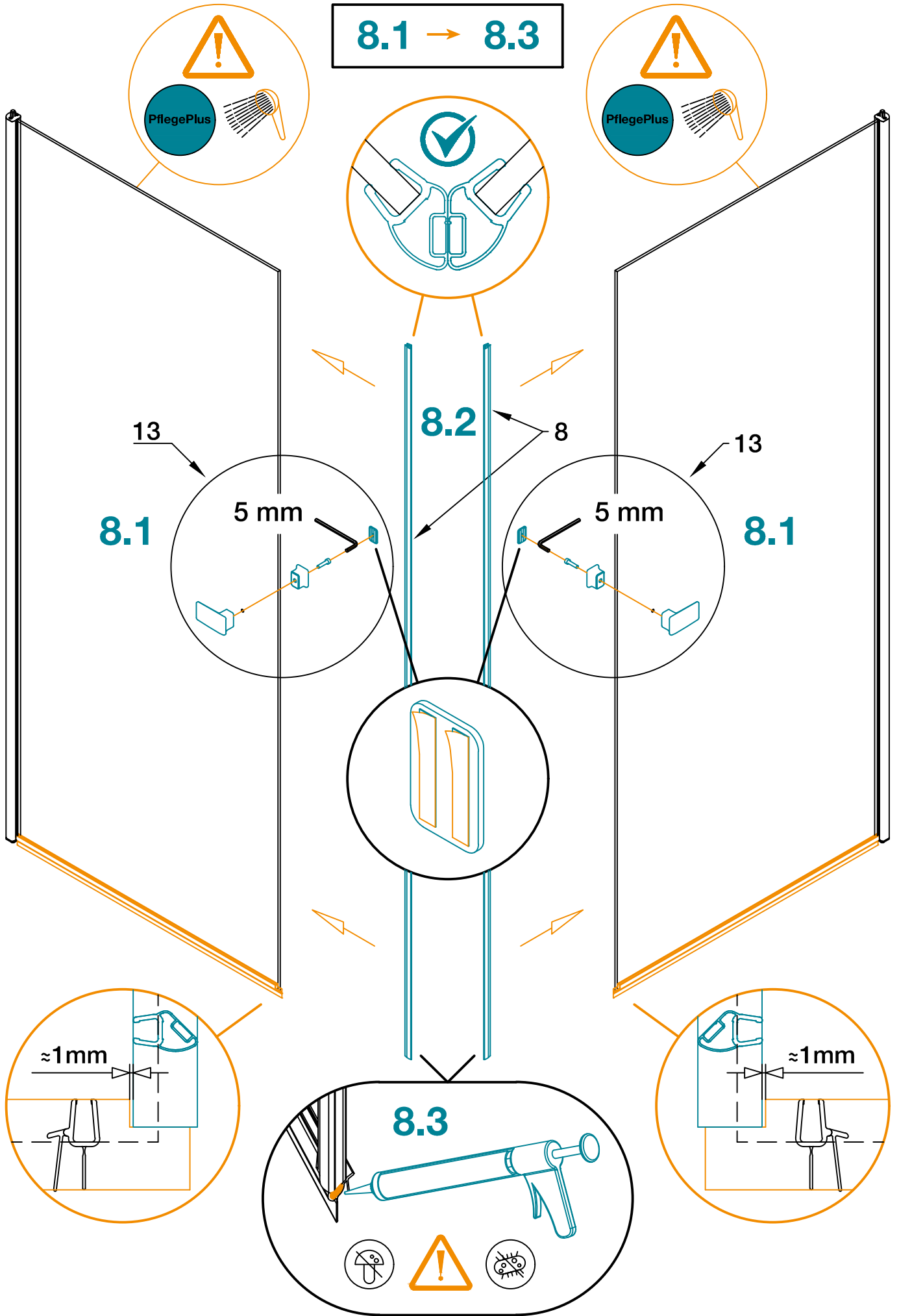
 **Y = .....**   **7.2**  
**PG. 16** 



  
**PflegePlus** 

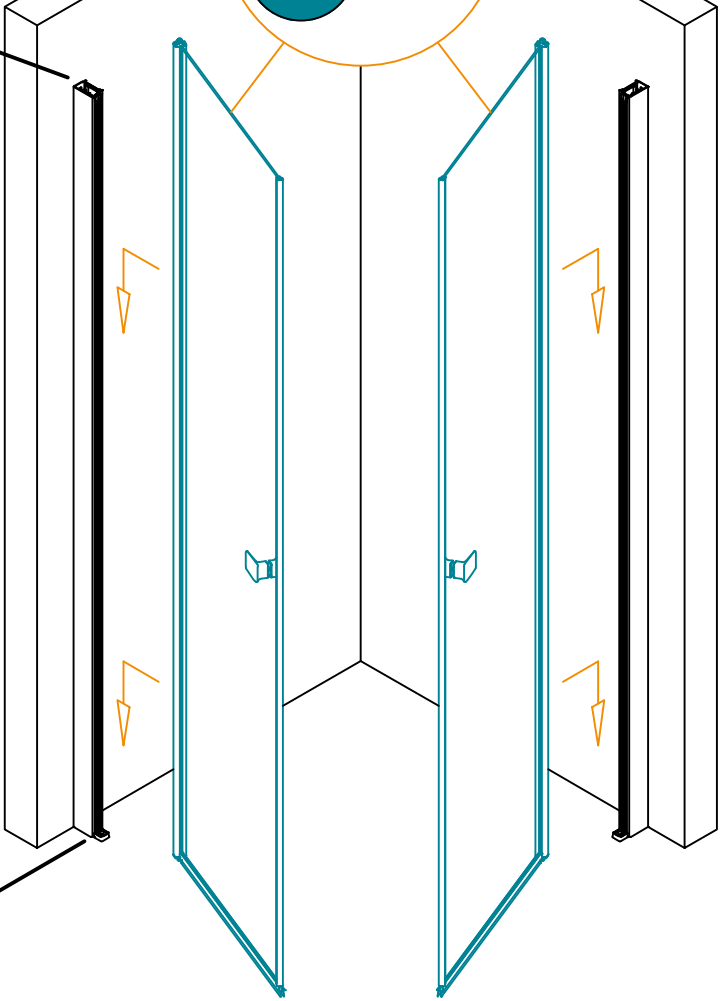
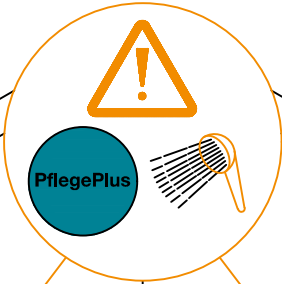
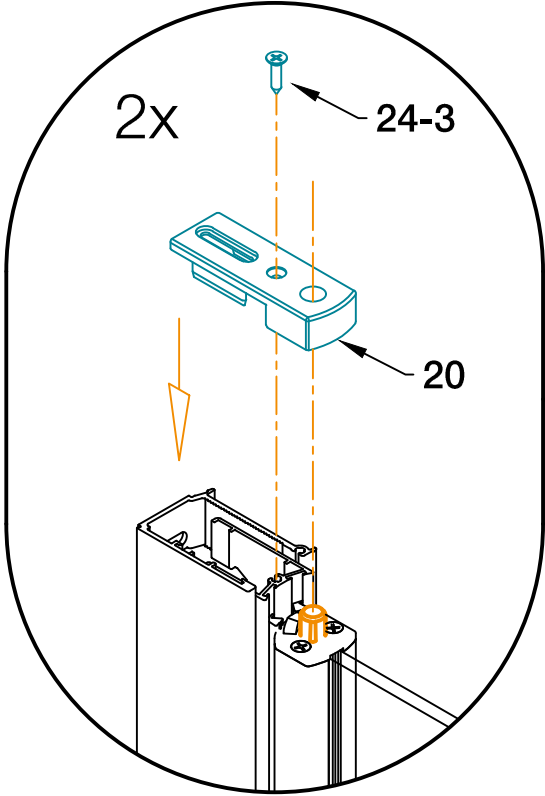


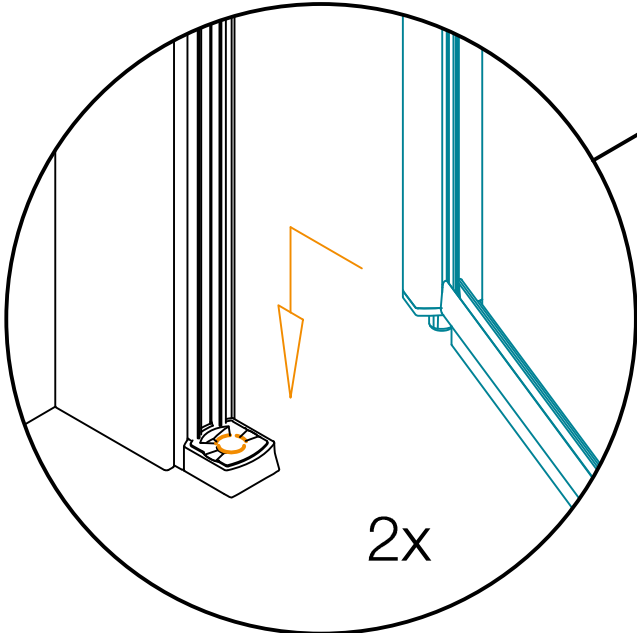


9.1 → 9.2

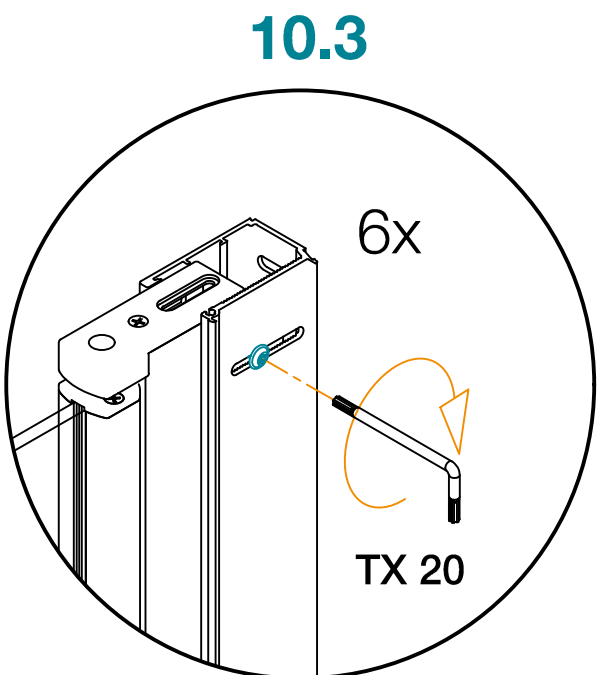
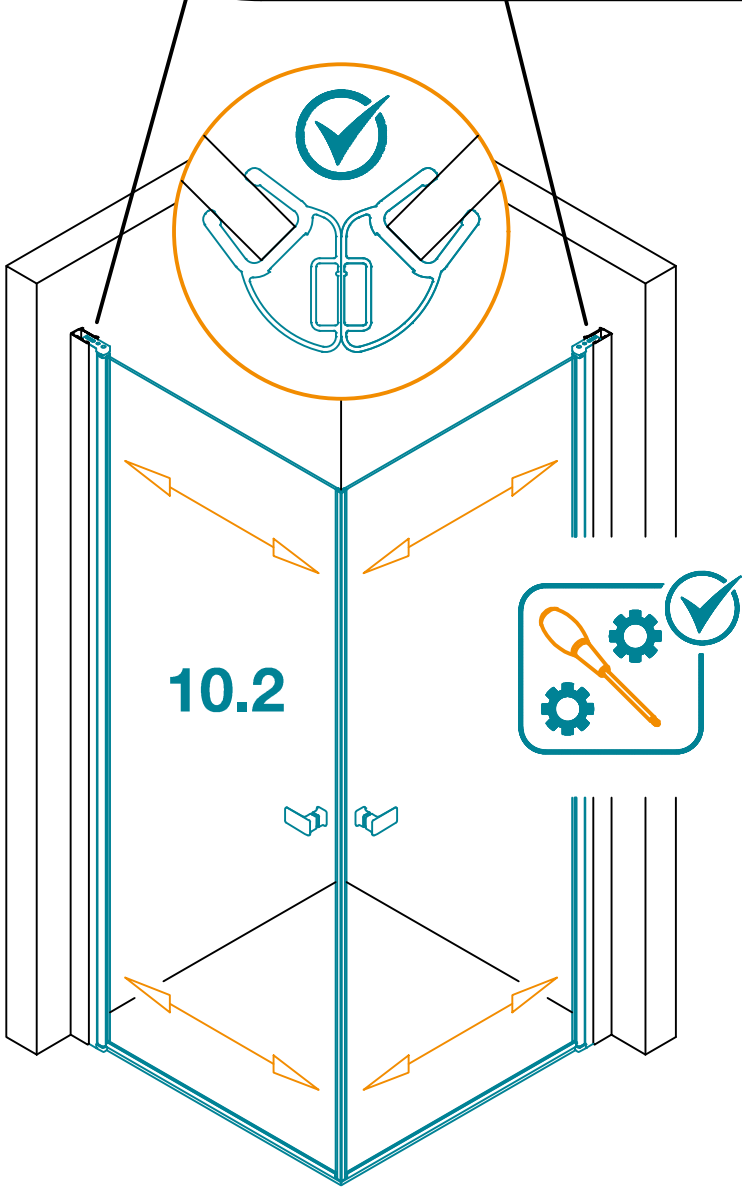
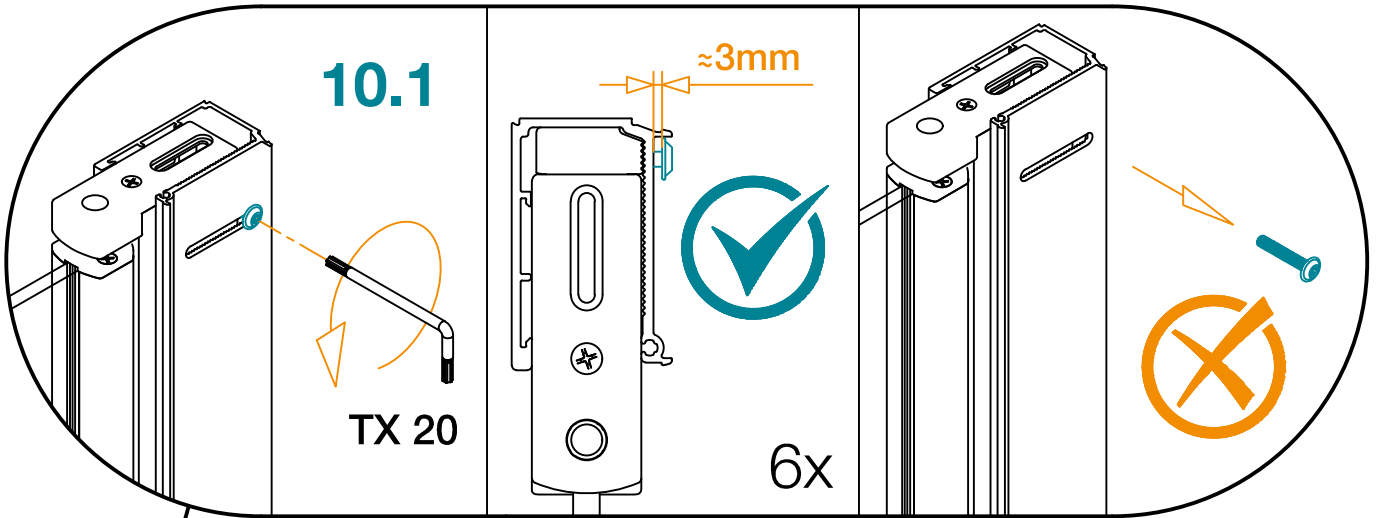
9.2



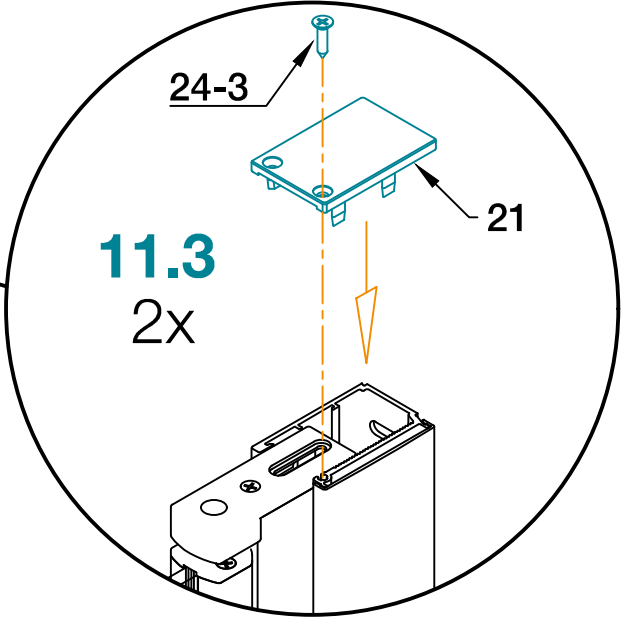
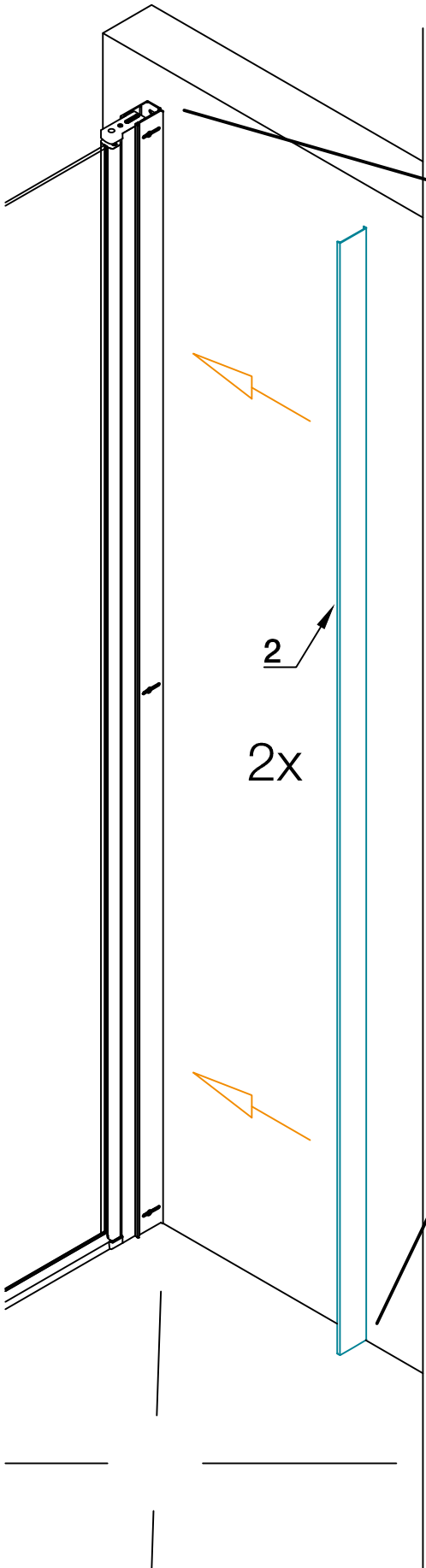
9.1



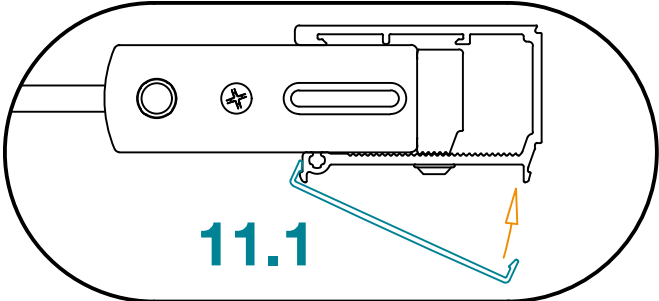
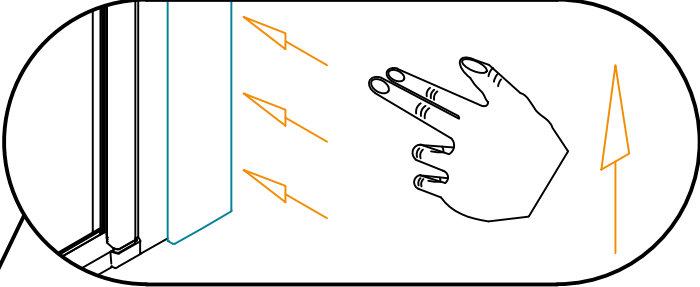
10.1 → 10.3



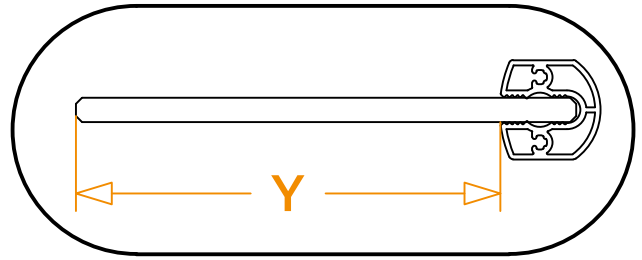
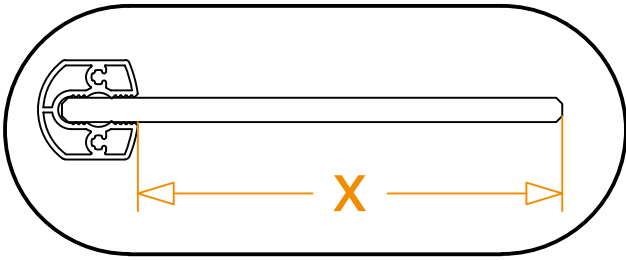
**11.1 → 11.3**











**11.2**

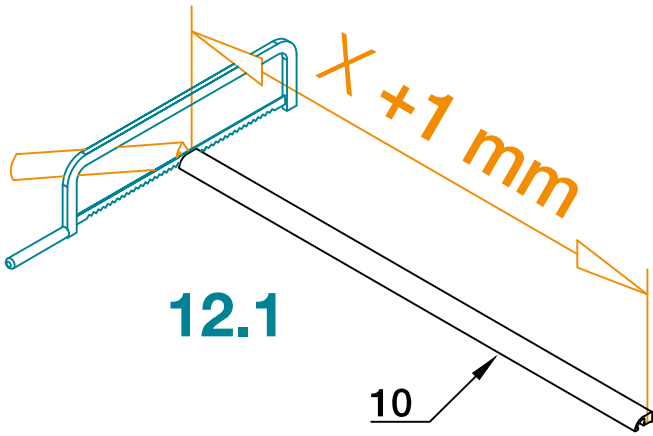


12.1 → 12.3

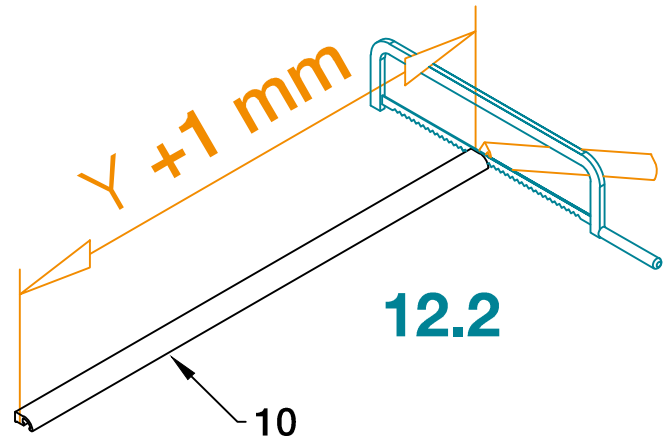


 **X = .....**    
**PG. 10** 

 **Y = .....**    
**PG. 11** 

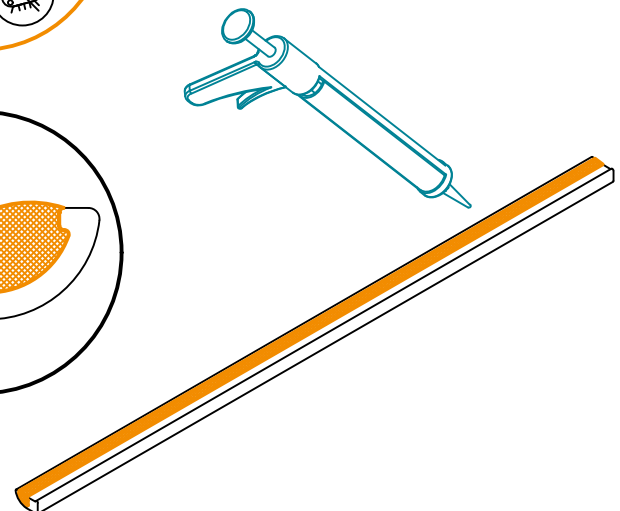
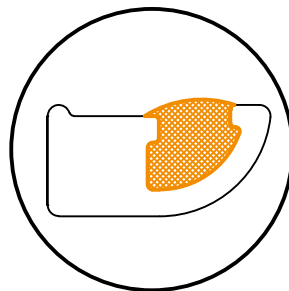
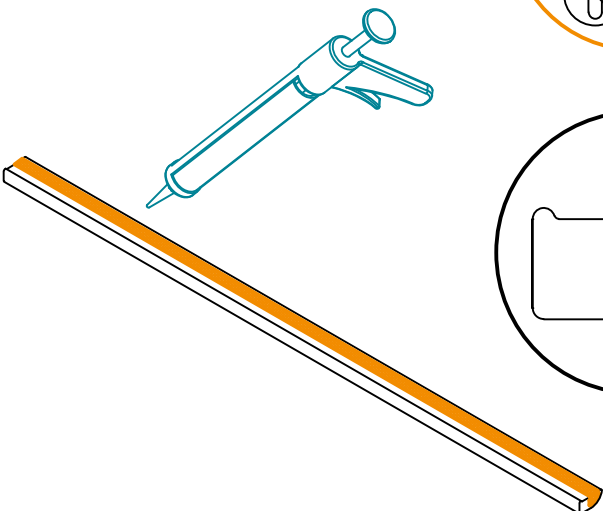
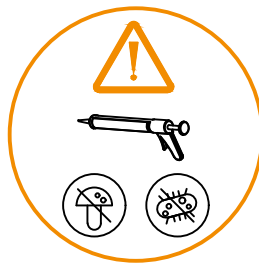


12.1

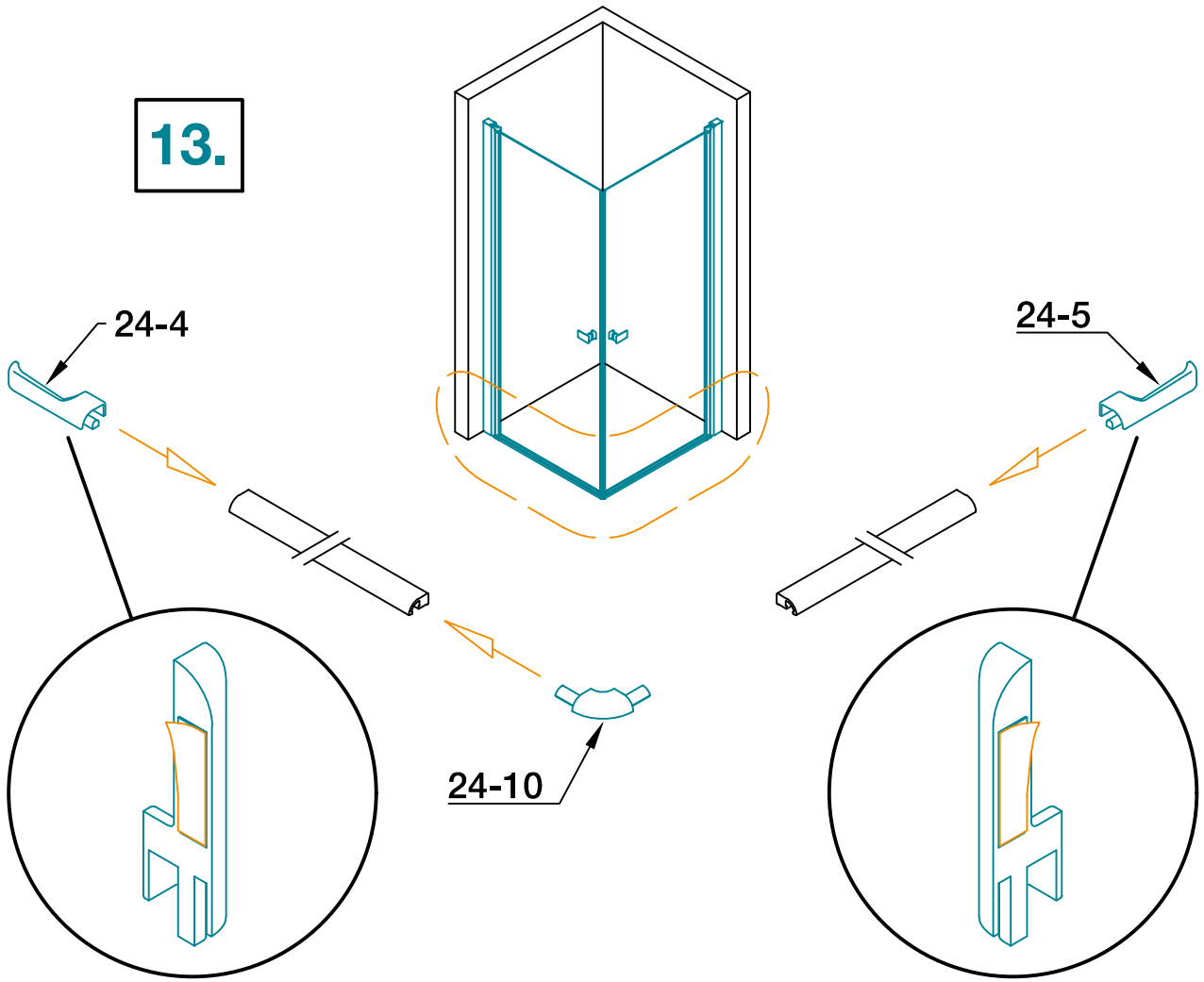


12.2

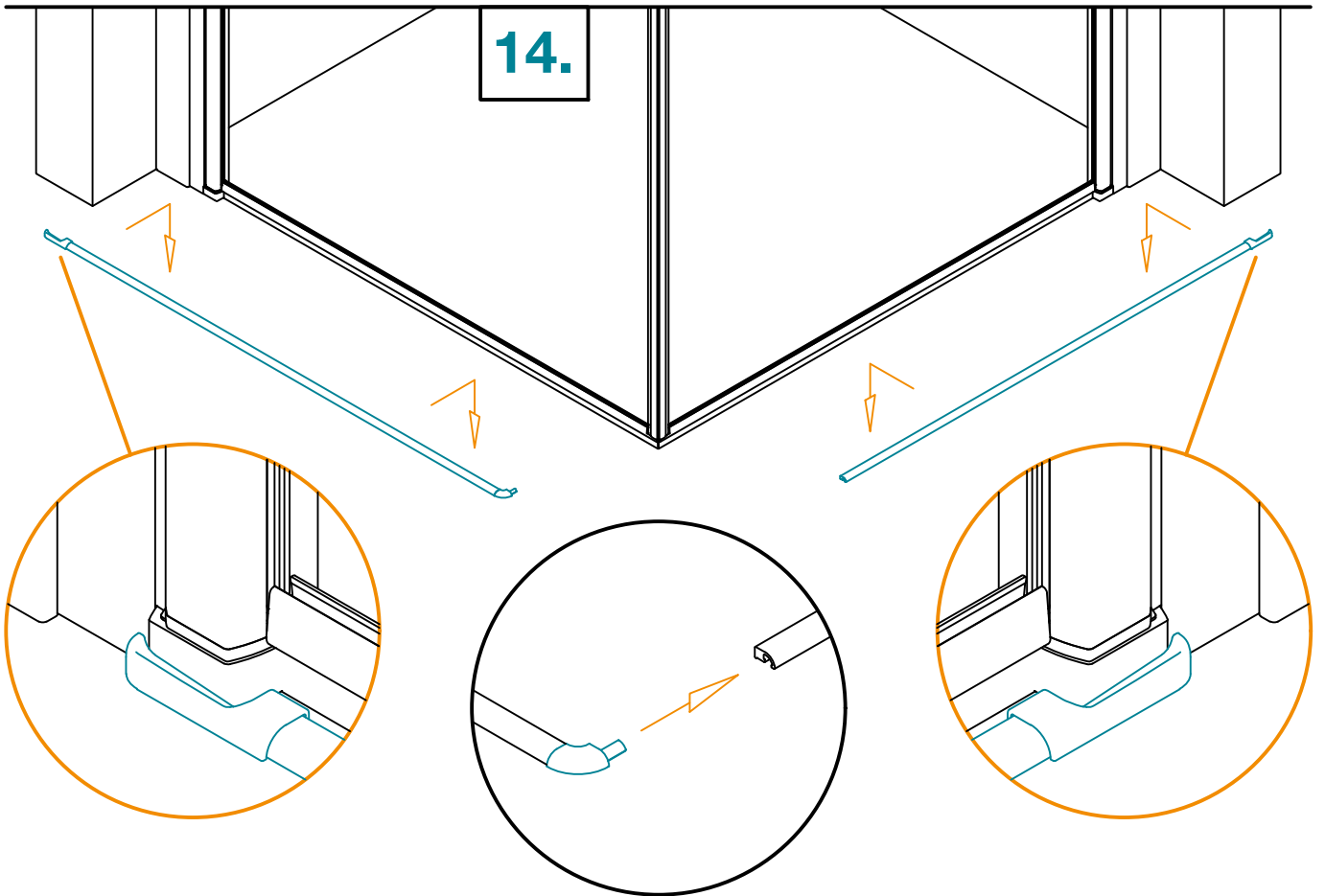
12.3



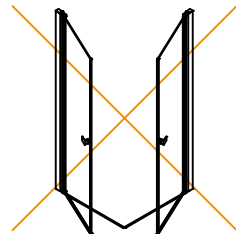
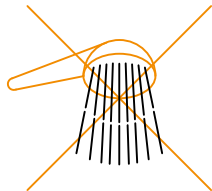
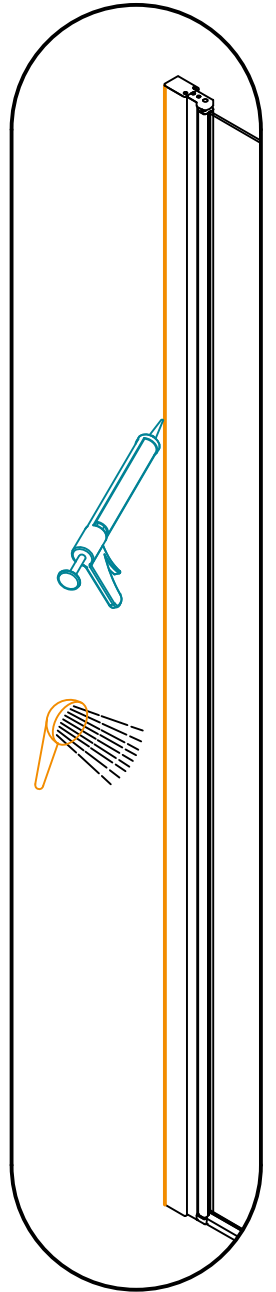
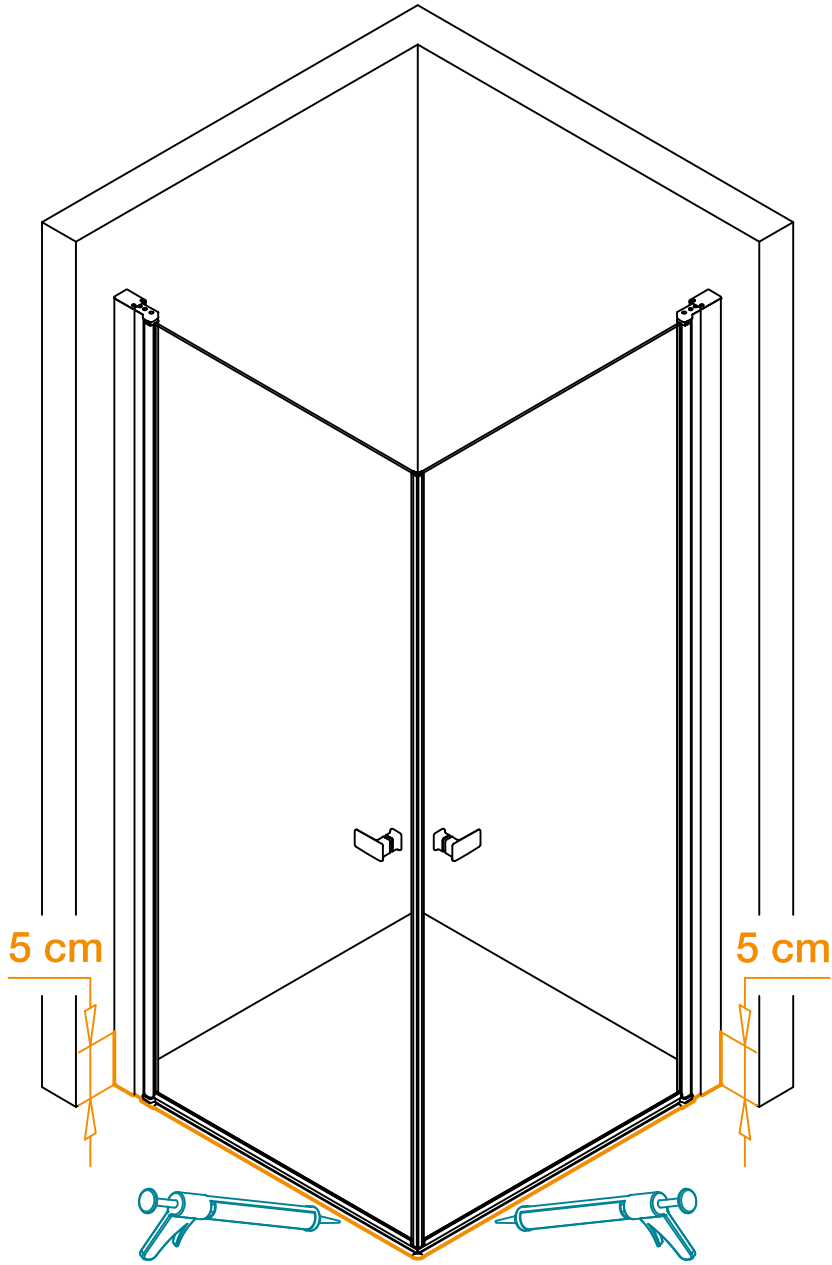
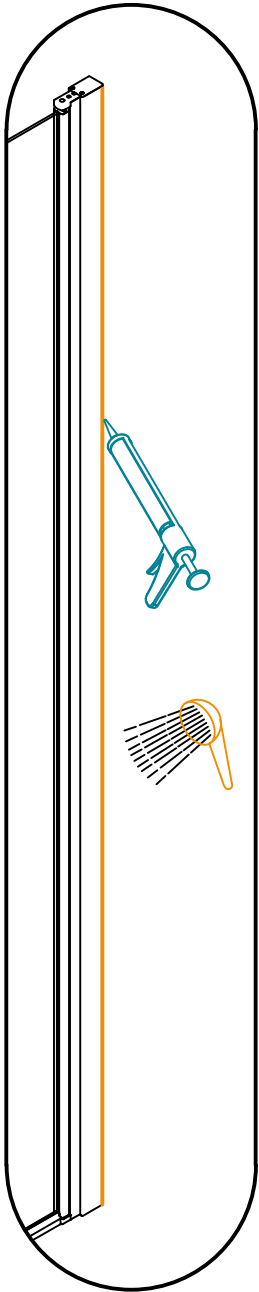
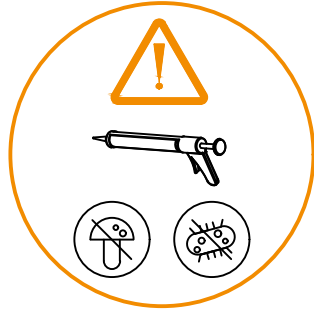
13.

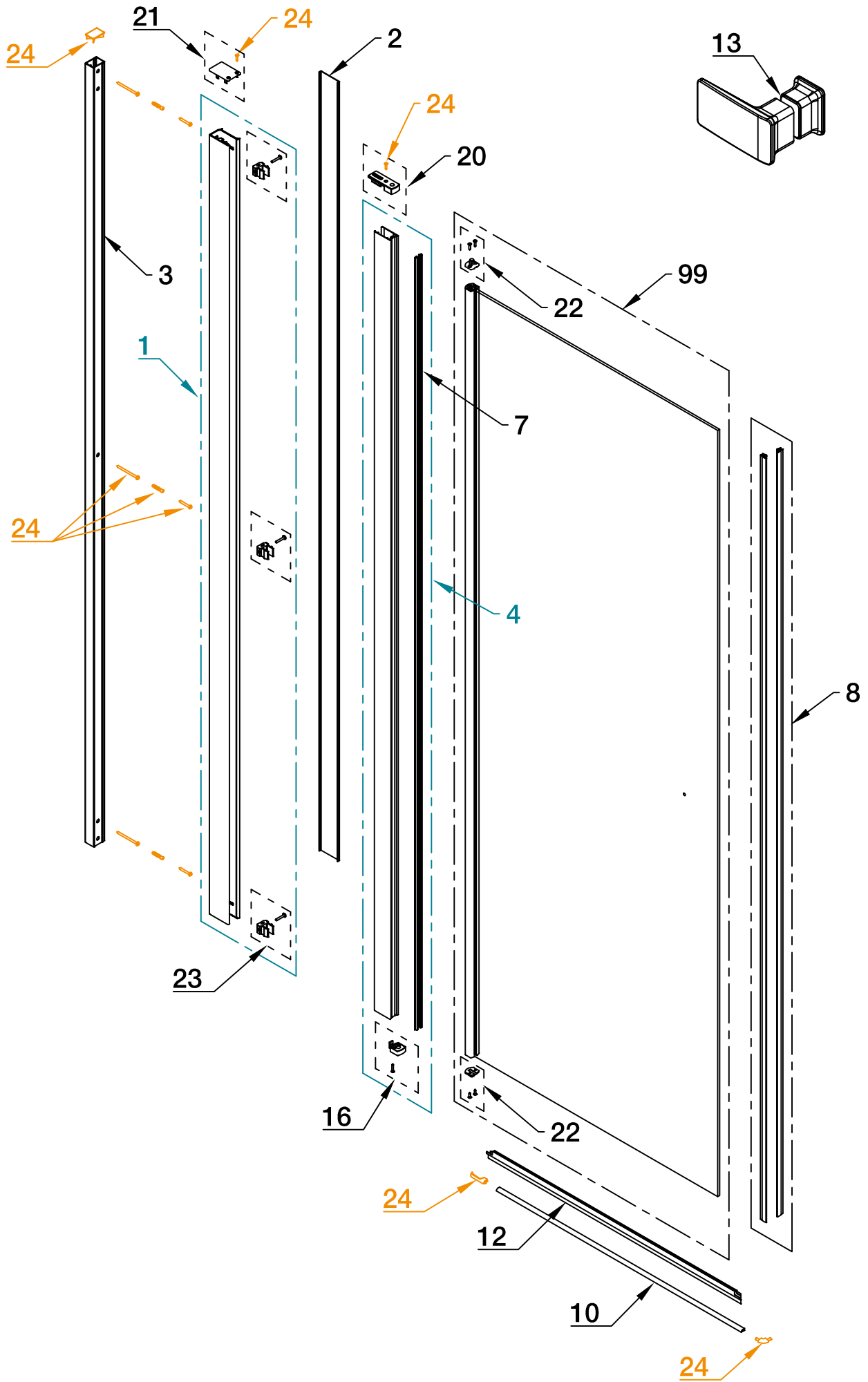


14.



15.





Pos.	KBN	
	STD	SM
1	YVG80072E150	*
2	YVG8007350	*
3	YVG80074F150	*
4	YVG80064E150	*
5	YVG80068E150	*
6	YVG82014	
7	YVG82040	
8	YVG42352TLTR	
9	YVG53101	
10	YVG50302501250	
11	YVG50504501250	
12	YVG52203U1000F	
13	YVGMT052310	
14	YVGMT053510	
15	YVGMT044310	
16	YVGMT052410	
17	YVGMT052510	
18	YVGMT052610	
19	YVGMT052710	
20	YVG8407010	
21	YVG8408210	
22	YVG8147003	
23	YVG81406	
24	YVGSMD24P	
99	*	