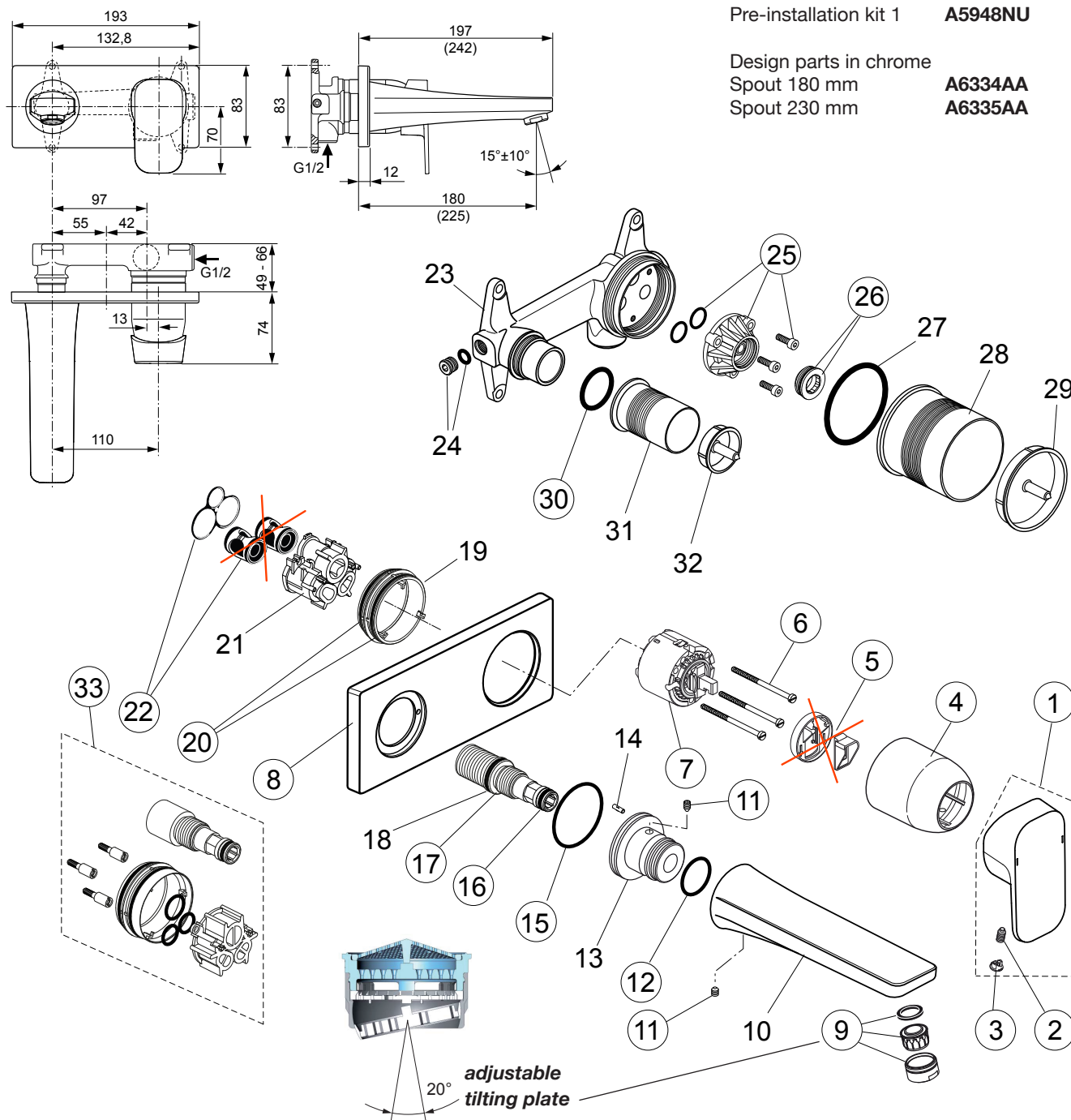


# Tonic II A6334.. A6335..



Produced since: **March. 2015**



Pre-installation kit 1 **A5948NU**

Design parts in chrome  
 Spout 180 mm **A6334AA**  
 Spout 230 mm **A6335AA**

Pos.	Description	Part-Number	Qty.	Pos.	Description	Part-Number	Qty.
1	Lever cpl. with Logo ISI	<b>A 860 896 AA</b>	1 Set	18	O - ring Ø 19 x 2,5		
2	Thread pin M5x10 DIN915	<b>A 963 309 NU</b>	1 pcs	19	Plastic ring		
3	Handle cap	<b>B 960 473 AA</b>	1 pcs	20	O - ring Ø 47,3 x 1,78	<b>A 963 526 NU</b>	2 pcs
4	Cover cap	<b>A 960 893 AA</b>	1 pcs	21	Plastic insert		
5	ECO-kit			22	Low noise insert complete	<b>A 963 524 NU</b>	1 Set
6	Cylindrical screw M4x69	<b>A 963 783 NU</b>	3 pcs	23	Body ( built-in)		
7	Cartridge with pos. 5	<b>A 960 500 NU</b>	1 pcs	24	Superior block M10x1		
8	Escutcheon	<b>F 960 880 AA</b>	1 pcs	25	Flushing device complete	<b>F 960 881 NU</b>	1 Set
9	Aerator M24x1 - 5ltr/min	<b>F 960 876 AA</b>	1 pcs	26	Plug with o-ring	<b>A 963 548 NU</b>	1 pcs
10	Spout 180mm or 230mm projection			27	O - ring Ø 54 x 2,5		
11	Thread pin M6x8 DIN914	<b>A 860 691 NU</b>	1 pcs	28	Plaster guard for cartridge		
12	O - ring Ø 28 x 3	<b>A 960 071 NU</b>	2 pcs	29	Cover for pos. 28		
13	Connector spout			30	O - ring Ø 26 x 2,5	<b>A 860 845 NU</b>	1 pcs
14	Groove pin 3x10 DIN1474			31	Plaster guard for spout		
15	O - ring Ø 41 x 1,78	<b>A 961 863 NU</b>	1 pcs	32	Cover for pos. 31		
16	O - ring Ø 10 x 2	<b>A 963 495 NU</b>	2 pcs	33	Extension kit 20mm longer	<b>F 960 866 NU</b>	1 Set
17	Connector nipple cpl.	<b>A 963 495 NU</b>	1 Set				