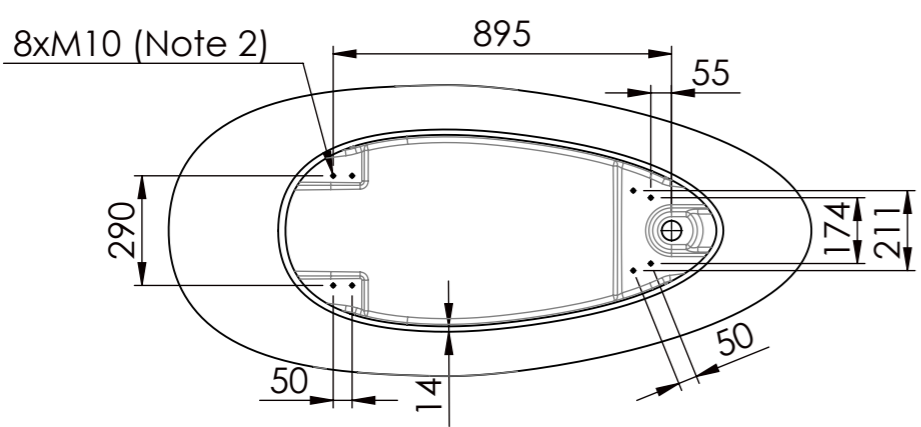


Bottom view



Tolerance length/width/height	+10/-10 mm	
Tol. plane bending	≤800 mm	+1,5/-1,5 mm
	>800 mm	+3/-3 mm
Tolerance holes location	+3/-3 mm	
Tolerance wall thickness	+1/-1 mm	
Tolerance feet location	+5/-5 mm	

Uwagi/Note:
 1. Water volume (full bathtub) 330 l l
 2. M10 steel bearings
 3. Water volume to overflow 255 l

	weiß glänzend	weiß matt	schwarz matt	schwarz/weiß glänzend	grau/weiß glänzend	beige/weiß glänzend
TULPE	TULPM170F	TULPM170FWM	TULPM170FSM	TULPM170FS	TULPM170FG	TULPM170FB

This document must not be copied without our written permission, and the contents thereof must not be imparted to a third party nor be used for any unauthorized purpose. Contravention will be prosecuted.